

## Universal Remote Display

Part Number: RD7CTS



### Description

**PROTEUS® Mini-ME™** is a color graphic display providing Automatic Tank Gauge (ATG) users the freedom to gain access to current tank gauging, leak detection and alarm status from ATG consoles.

Automatic Tank Gauges monitor storage vessels for level, temperature, volume and potential leaks. Typically ATG's are located where audio visual alarms and level information are not conveniently accessible due to installation constraints. These tank gauges are often difficult to use and understand. They are installed in locations that are out of the operator's normal work area therefore rendering potential alarms unnoticed.

**PROTEUS® Mini-ME™** allows the user to easily and intuitively gain access to these alarms and level information anywhere throughout a facility. It provides both wired and wireless access to industry standard ATG's providing easily accessible information where required.

### Features

- 7 inch color touch screen graphic display
- Ability to view leak sensor alarms and tank inventory remotely in up to eight tanks
- Audible and visual alarms
- Easy to install
- Easy to use
- Wall mount or flush mount
- Wireless option
- Allows freedom to locate main ATG in a convenient/economical location
- Connects to any industry standard ATG
- Wide viewing angle

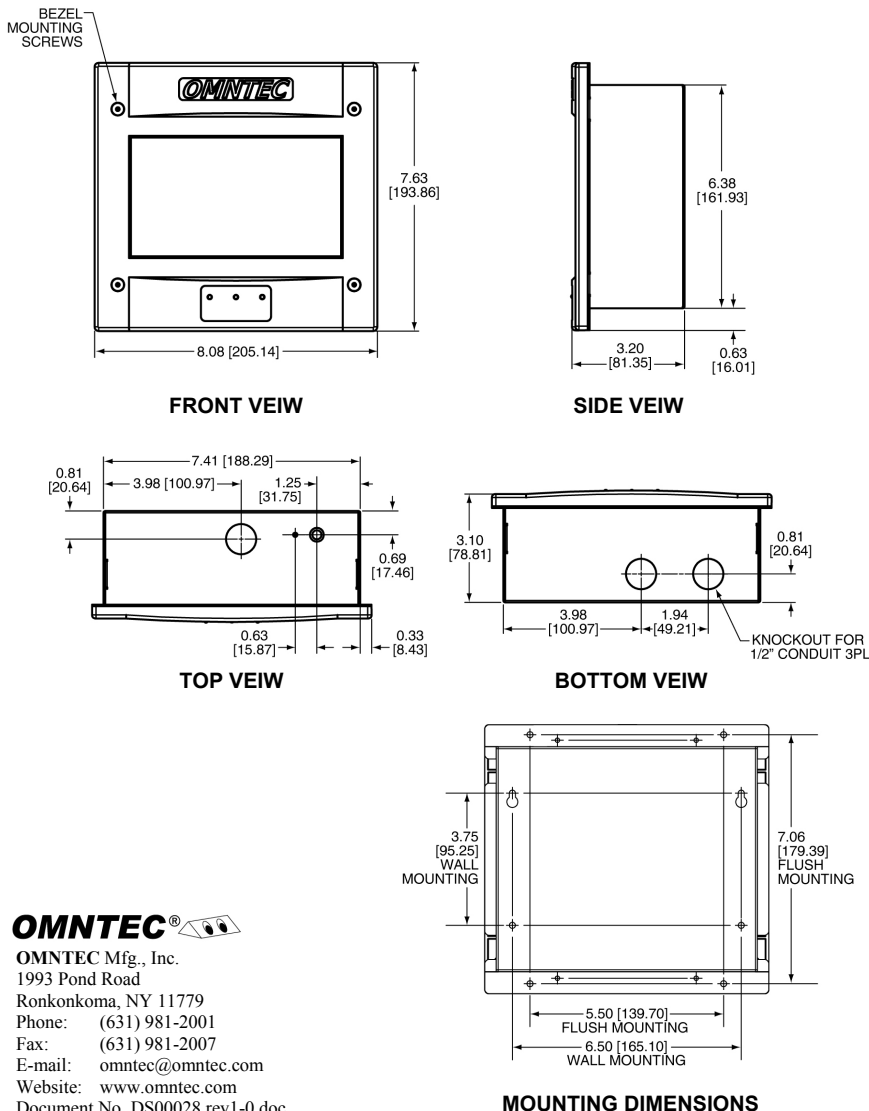
# M<sup>PROTEUS</sup> Mini-ME™

## Universal Remote Display

Part No. RD7CTS

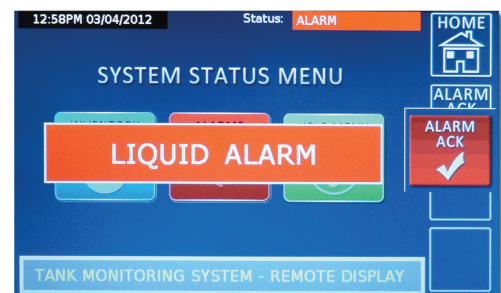
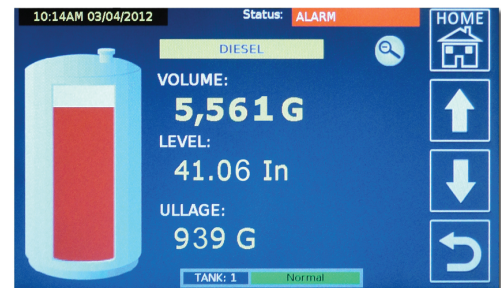
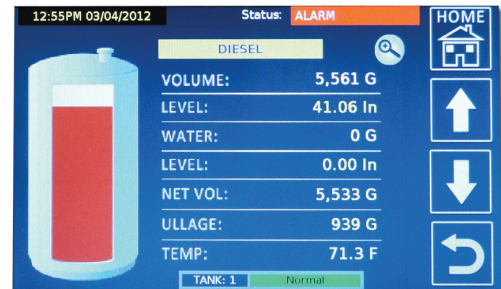
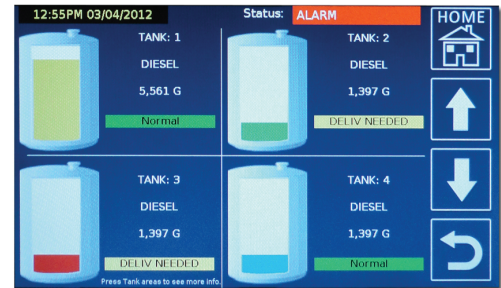
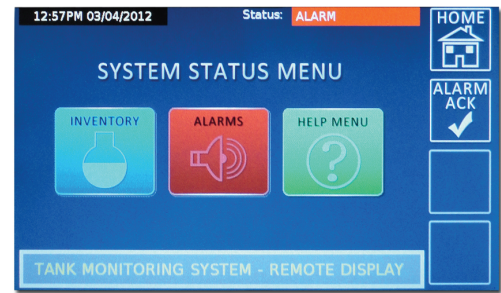
Specifications	
<b>Input Power:</b>	100-240 VAC +/- 10% 50/60 Hz 25 watts (12VDC power available upon request)
<b>Audio Visual Controls</b> Display: Audible alarm: System status:	Color 7 inch graphic display with touch screen 85 dB piezoelectric horn 3 LED's (OK, Warning, Alarm)
<b>Accessories:</b>	<b>WRS-232</b> Wireless RS-232 link includes both tank gauge and remote transceivers <b>WRS-232R</b> Wireless RS-232 repeater for extending WRS-232 wireless reach <b>RD-PCK</b> Power cord kit <b>RD-232C-75</b> 75 feet RS232 cable <b>C232-422-RD7CTS</b> RS-232-422 booster kit to increase distance of RS-232 output
<b>Weight:</b>	5 lbs.
<b>Dimensions:</b>	(h) 7.63" (w) 8.08" (d) 3.20"

Specifications subject to change without notice, verify with manufacturer.



**OMNTEC**®

OMNTEC Mfg., Inc.  
1993 Pond Road  
Ronkonkoma, NY 11779  
Phone: (631) 981-2001  
Fax: (631) 981-2007  
E-mail: omntec@omntec.com  
Website: www.omntec.com  
Document No. DS00028 rev1-0.doc  
Rev Date: 10-17-2012



** CURRENT ALARM LOG **		
LOG #	Tank 7: DIESEL	HIGH LEVEL ALARM
5	MO 03/04/12 12:55:00	4925.14 G
LOG #	Tank 8: DIESEL	HIGH LEVEL ALARM
6	MO 03/04/12 12:55:00	7397.92 G
LOG #	S1:	LIQUID ALARM
7	MO 03/04/12 12:58:00	---
LOG #	---	---
8	---	---