



Parts and Accessories

Illustrated Parts Lists



TABLE OF CONTENTS

PRICE LIST

Price List by Part Number 2

GPI® FUEL PUMPS

G20 Fuel Pump 8
 EZ-8 Fuel Pump 9
 M-150S-EM Electric Gear Pump 10
 M-150S, M-180S & M-240S Electric Gear Pumps 11
 M-3020 12
 M-3025 & M-3425 Heavy Duty Pumps 13
 M-1115S Electric Gear Pump 14
 M-3120 Heavy Duty Pump 15
 M-3130 Super Duty Pump 16
 HP-100 DUAL-FLO® Hand Pump 17
 HP-90 Economy Hand Pump 18
 DP-20 Diaphragm Hand Pump 19
 RP-10 Rotary Hand Pump 20

GPRO® COMMERCIAL GRADE PUMPS

PRO20-012 30
 PRO25-012 / PRO25-024 31
 PRO20-115 / PRO20-115RD / PRO20-230 32
 PRO35-115 / PRO35-115RD 33

FUEL METERS

M30 Mechanical Meter 21
 QM-240 Mechanical Meter 22
 DR 5-30 Digital Meter 23
 MR 5-30 Mechanical Meter 24
 FM-100, & FM-200 Electronic Disc Meters 25

OIL

Oil Pumps – L 5016, L 5116 & L 5132 26
 Oil Meter – LM-200 25
 Oil Meter – LM-300 27

HERBICIDE

P-120H & P-200H Plastic Utility Pumps (12V) 28
 PA-120H & PA-200H Plastic Utility Pumps (115V) 29
 FM-300H Electronic Disc Meter 27

TROUBLESHOOTING GUIDE

12 Volt Gear Pumps 34
 115 Volt Gear Pumps 35
 12 Volt Vane Pumps 36
 115 Volt Vane Pumps 37

REPAIR SERVICES 38

Prices effective January 1, 2019

TO ORDER
CALL: 1-800-835-0113
FAX: 316-686-6746
Great Plains Industries, Inc.

Confidential Proprietary Notice

This document contains proprietary information that is the sole property of GREAT PLAINS INDUSTRIES, INC., to be held and treated by its recipient on a confidential basis and not to be shown or disclosed to any unauthorized organization or person.

Illustrated Parts Lists

Part numbers listed are *current* and may or may not apply to old versions of the same product. Parts for herbicide versions and fuel versions of products are *not necessarily* interchangeable, especially seals, o-rings, gaskets and hoses.

If you need further assistance, please contact the GPI Customer Service Department at 1-800-835-0113. To obtain prompt, efficient service, always be prepared with the model number, the serial number or manufacturing date code, and as much information as possible about the specific part desired.

For information about legacy and discontinued products, please, visit www.gpi.net/legacy.

PRICE LIST BY PART NUMBER

Part no.	Description	Price
110009-501	Inlet Strainer	\$12.90
110010-501	Bypass Poppet	\$7.00
110011-2	Spring, Bypass Poppet	\$6.00
110016-501	Inlet Fitting	\$39.00
110024-1	Coverplate, Strainer	\$6.00
11002502	Seal, Motor Shaft	\$6.00
110026-1	O-Ring Housing	\$6.00
110026-1	O-Ring, Gear Coverplate	\$6.00
110026-4	O-Ring, Strainer	\$6.00
110026-6	O-Ring, Switch Coverplate	\$6.00
110032-501	Gasket, Union-Ring	\$6.30
110037-1	EZ-8 Bushing, Tank Bung Adapter (Spin Collar Model)	\$6.00
110049-502	Hose Assy, 3/4" x 12ft	\$49.36
110063-2	Inlet Strainer	\$12.98
110078-8	Seal Motor Shaft	\$19.36
110107-2	Nozzle Discharge, Ball Valve 1"	\$52.70
110121-8	Nozzle, Auto 3/4" Unleaded UL	\$76.90
110122-1	Reducer	\$22.06
110131-2	Spring, Bypass Poppet	\$6.00
110155-1	Nozzle, Manual 3/4" Unleaded	\$28.50
110155-24	Nozzle Manual Leaded 1"	\$29.40
110155-3	Nozzle, Manual 1" Leaded	\$35.08
110155-4	Nozzle, Manual Leaded, 1" NPT	\$30.50
110158-501	Union Ring	\$18.60
110184-02	Gear Coverplate	\$13.66
110187-501	Hose, 3/4" x 12ft	\$38.44
110187-502	Hose (3/4" x 3/4" x 10ft)	\$42.00
110187-509	Hose (non-UL version)	\$29.40
110188-501	Hose, 1" x 12ft	\$52.50
110188-502	Hose Assy -Fuel 1" NPT x 1" x 18ft	\$78.76
110189-502	Hose, EPDM 1"x12ft (P-120H & P-200H)	\$52.50
110195-02	Coverplate, Electrical	\$12.76
110215-1	Power Cord Assy, 15ft	\$80.86
110241-01	Suction Pipe Assy	\$25.20
110243-01	Suction Pipe Steel	\$52.50
110265-02	Power Cord, 12ga x 18ft	\$22.58
110276-501	Switch Coverplate Assy	\$28.28
110277-505	Switch Kit	\$29.30
110277-506	Switch Assembly	\$19.20
110277-507	Switch Assembly	\$38.80
110285-01	Electrical Coverplate Gasket	\$6.00
11030302	Nozzle Cover	\$10.00
110360-02	Nozzle, Cover	\$6.00
110382-501	Inlet Fitting, 2" NPT x 1.25" NPSM	\$12.60
110412-15	Power Cord, 14ga x 15ft	\$16.20
110500-01	Fuse Kit 15AMP	\$6.00
110500-02	Fuse Kit, 25 AMP	\$6.00
110500-03	Fuse Kit 30 AMP	\$6.00
110504-1	Fuel Pump Overhaul Kit	\$53.60

Part no.	Description	Price
110525-02	Brush Holder Assy	\$21.84
110525-04	Brush Card Assy Kit	\$47.26
110525-04	Brush Card Assy Kit (M150S/ M240S 6 5/8" Motor)	\$47.26
110525-1	Brush Card Assy Kit	\$26.74
110526-02	Motor Housing Kit (6 5/8" Motor)	\$43.68
110526-1	Motor Housing Kit (6 3/8" Motor)	\$43.68
110527-1	Battery Clamp Kit	\$11.70
110540-01	Hook, Auto Nozzle Unleaded (3/4")	\$14.70
110540-02	Nozzle Hook Only, Leaded	\$16.80
110540-03	KIT, NOZZLE HOOK, DIESEL	\$16.80
110906-1	Wet Seal Kit	\$16.28
110907-1	Gear Kit	\$31.60
110908-1	O-Ring Bypass Poppet	\$6.00
110909-1	Bung Adapter Kit	\$29.00
110910-503	Switch Kit	\$31.50
110913-2	Drive Key	\$6.00
110927-04	Gear Coverplate	\$15.64
110927-05	Gear Coverplate Kit	\$16.80
111006-1	Counter Cover, Gallon	\$33.50
111006-2	Counter Cover, Litre	\$32.06
111010-501	Filter	\$13.20
111012-8	Decal, Gallon	\$13.80
111012-9	Decal, Litre	\$13.80
111014-3	Screw, Calibration	\$14.82
111018-1	Bushing, 1" x 3/4"	\$6.00
111020-3	Filter Can	\$29.48
111021-4	Housing, 1 inch BSPP	\$47.38
111021-5	Housing, 3/4 inch NPT	\$35.70
111021-7	Housing, 3/4 inch BSPP	\$105.00
111024-1	O-Ring, Counter Cover	\$10.00
111026-1	Seal, Calibration Screw	\$6.00
111028-501	Reset Knob	\$10.50
111029-1	Strainer Coverplate	\$29.06
111032-2	Strainer	\$11.94
111039-2	Screw, Calibration Cover	\$6.00
111045-4	O-Ring, Nutator	\$6.00
111047-3	Counter Assy, Gallon	\$151.00
111047-5	Counter Assy, Litre	\$152.00
111099-8	Decal, Gallon	\$15.76
111099-9	Decal, Litre	\$11.56
111107-1	Seal, Knob	\$6.00
111116-01	Decal, Quart	\$26.26
111501-1	Adapter Kit	\$24.00
111502-2	Herbicide Hose & Nozzle Kit	\$136.50
111506-2	Overhaul Kit	\$39.90
111508-1	Housing, 1 inch NPT	\$57.76
111509-1	Nutator Kit	\$51.72
114006-1	Seal, Molded	\$13.58
114007-1	HP-100 Plate -Inlet/ Outlet	\$6.00

1.) LOCATE YOUR PART & PART NUMBER IN THE EXPLODED VIEWS, STARTING ON PAGE 8. 2.) LOOKUP YOUR PART PRICE IN THE TABLES BELOW.

PRICE LIST BY PART NUMBER

Part no.	Description	Price
114008-1	HP-100 Valve	\$6.00
114009-1	Spring	\$6.00
114011-1	HP-100 Liner	\$27.46
114014-502	Handle	\$21.00
114016-1	Bearing	\$7.00
114017-2	Retainer	\$6.00
114021-02	Piston Assy	\$49.36
114029-2	Gasket EPDM	\$10.76
114034-501	Packing Seal Kit 3ea	\$12.60
114037-1	Inlet Screen	\$6.00
114038-1	Spacer	\$6.00
114041-1	Piston Cover Plate	\$28.04
114042-1	Body	\$104.00
114045-501	Hose & Nozzle Assy (U.L. version)	\$36.76
114047-501	Nozzle, Metal (UL version)	\$17.40
114504-503	Hose & Nozzle Assy (N.U.L. version)	\$38.90
114505-2	Overhaul Kit	\$68.50
114509-1	Inlet Cover Kit	\$36.90
114509-2	Optional Inlet Cover Kit	\$55.66
114510-503	Hardware Kit	\$14.32
115016-1	Power Cord Assy, 15ft	\$65.26
115018-5	Lower Case Assy 2"	\$112.00
115084-1	Gasket, EDPM	\$11.64
115085-1	Gasket, TEFLON	\$10.00
115090-5	Bung Adapter Assy	\$128.40
115509-2	Gasket, EDPM -Below 4" Bung	\$16.36
115547-1	Gasket, TEFLON -Below 4" Bung	\$12.02
118006-1	Pump Housing	\$135.00
118007-1	Coverplate	\$66.68
118016-1	Shaft Adapter	\$14.40
118017-501	O-Ring Coverplate -154, 3.737ID x .103 FKM	\$31.10
118020-1	Bearing -Shaft Seal	\$17.30
118021-1	Handle	\$22.06
118023-1	Grip, Handle	\$11.18
118501-1	Gear Kit	\$59.40
118502-1	Gear Kit	\$100.70
118503-1	Overhaul Kit	\$114.30
118504-1	Overhaul Kit	\$137.90
118505-1	Drive Shaft Kit	\$77.08
118506-1	Seal Kit	\$62.90
118507-1	Bypass Poppet Assy Kit	\$81.18
118508-1	Bypass Poppet Assy Kit 4"	\$81.18
118508-2	Bypass Poppet Assy Kit 2"	\$43.64
118509-3	2" Inlet Fitting to Convert 4" Pump to 2"	\$100.50
119002-17	Motor Assy, 12VDC	\$236.00
119002-518	Motor Assy, 12VDC	\$326.00
119006-2	Motor Assy 115VAC	\$473.00
119006-P1	Motor Assy 115VAC	\$460.00
119008-551	Motor 120VAC w/ circuit board	\$254.10

Part no.	Description	Price
119052-1	Armature Assy	\$82.54
119052-2	Armature Assy	\$75.34
119077-2	Coverplate, Switch	\$10.64
119107-1	Cover Assy w/ Circuit Breaker	\$265.00
119200-551	Motor 12VDC	\$178.50
119200-552	Motor 24VDC	\$178.50
119201-551	Motor 12VDC	\$198.40
120013-1	Clip, SS 304	\$6.00
120028-1	Gasket, Viton GF -Battery Cvr Plate	\$11.56
120501-3	Battery Cover & Gasket Kit	\$28.10
120502-11	Cover Plate Assy Kit Gallon	\$254.00
120502-18	Cover Plate Assy Kit Litr	\$254.00
120503-1	Nutator Kit	\$58.36
120504-1	Signal Generator Kit	\$50.96
120505-1	Housing Kit	\$131.00
121010-02	Motor Shaft Key	\$6.00
121010-03	Shaft Key SS	\$6.00
121013-503	Check Valve/ Inlet Strainer Assy Kit	\$31.50
121019-1	Spring	\$7.00
121036-501	Hose Assy 1" Hose, Fuel, UL, NPT x 1" x 12ft	\$116.00
121231-1	ADAPTER, TANK, 2" X 1" NPT	\$35.50
121231-5	ADAPTER, 2"x1-1/4" NPT	\$32.10
123011-1	RP-10 Single Vane	\$12.60
123012-1	Single Spring	\$6.00
123013-1	Retainer Plate	\$6.00
123015-1	RP-10 Riser	\$40.38
123038-1	Inlet, Strainer	\$6.00
12304001	Seal, Riser	\$6.00
123501-1	Shaft Seal Kit	\$22.70
123503-1	RP-10 Overhaul Kit	\$65.10
123504-1	Anti-Siphon Vent Kit	\$13.90
123505-3	Hardware Kit	\$21.00
123506-1	Crank Assy Kit	\$19.66
123507-1	RP-10 Shaft Assy Kit	\$44.10
123509-1	RP-10 Rotor w/ Springs Kit	\$65.10
125066-1	Cable -10ft (Used with pulse access feature)	\$26.26
125066-20	Cable -20ft (Used with pulse access feature)	\$38.86
125066-500	Cable -100ft (Used with pulse access feature)	\$130.00
12631201	Bezel	\$8.00
126530-01	Bezel Kit	\$15.76
126530-02	Faceplate Kit -Gallon	\$27.30
126530-03	Faceplate Kit -Litre	\$27.30
126530-04	Counter Assy Kit -Gallon	\$94.50
126530-05	Counter Assy Kit -Litre	\$94.50
126530-06	Bevel Gear Kit	\$10.00
126530-07	Knob Kit	\$10.50
126530-08	Nutator Assy Kit	\$88.92

PRICE LIST BY PART NUMBER

Part no.	Description	Price
126530-09	Seal Kit	\$10.40
126530-10	Hardware Kit	\$10.50
126530-12	Fitting Kit for 3/4" NPT	\$21.00
126530-13	Fitting Kit for 3/4" BSPP	\$26.26
126530-14	Fitting Kit for 1" NPT	\$24.16
126530-15	Fitting Kit for 1" BSPP	\$42.00
126530-16	Fitting Kit for 1.50" NPT	\$47.26
126530-17	Fitting Kit for 1.50" BSPP	\$52.50
126530-18	Computer Cover Kit	\$35.70
126530-19	Computer Display Kit	\$273.00
126530-20	Computer Kit	\$89.26
126530-21	Reed Switch Sensor	\$22.06
126530-22	Battery Holder Kit	\$17.86
126530-23	Battery Door Kit	\$17.86
126530-24	Computer Display Back Kit	\$116.00
126530-25	Drive Key Signal Generator Kit	\$29.40
126530-26	Strain Relief Kit	\$11.56
126530-67	Calibration Screw Kit	\$16.80
131022-501	S-Link	\$10.50
131032-1	Coverplate	\$8.00
131033-1	Bracket, Nozzle	\$6.00
131034-501	Fuel Hose Assy 3/4 in	\$31.44
131039-02	Valve, Flapper	\$6.00
131040-1	Seal -Bottom of Piston	\$6.00
131046-503	Handle	\$22.10
131500-502	Hardware Kit	\$12.60
131501-02	Shaft Seal Kit	\$17.86
131501-03	Handle Kit	\$35.70
131501-04	Linkage Kit	\$15.76
131502-01	Overhaul Kit	\$42.00
133020-1	Vane Carbon	\$10.00
133022-501	Rotor 8-Vane	\$52.10
133026-1	Washer, Slinger -Shaft Seal	\$6.00
133027-1	Washer, Spacer -Shaft Seal	\$6.00
133031-06	Base M-3130	\$111.00
133032-02	Coverplate	\$58.80
133032-501	Coverplate	\$58.80
133033-501	Coverplate, Strainer	\$17.90
133033-502	Plate, Base	\$17.86
133041-1	Rotor	\$54.48
133042-1	Vane 2" Carbon	\$18.38
133052-01	Optional Base Assy	\$137.00
133052-02	Spare Base Assy	\$168.00
133052-501	Base Assy	\$137.00
133059-05	Bypass Plug	\$6.00
133059-06	Poppet Plug	\$6.00
133062-1	Poppet Spring	\$10.00
133064-02	Poppet Spring	\$6.00
133076-02	Cover, Conduit Box	\$63.00
133076-501	Cover, Conduit Box	\$63.00

Part no.	Description	Price
133078-1	Switch Mounting Bracket	\$6.00
133081-1	Switch Lever	\$6.00
133086-501	Switch Actuator Assy	\$22.06
133099-02	Inlet Base	\$56.24
133102-501	Inlet Filter Assy	\$25.20
13312201	Switch Lever	\$13.66
13312301	Switch Lever	\$6.00
13312401	Nozzle Cover	\$10.50
133140-01	90° Fitting Kit 1"	\$15.80
133140-02	90° Fitting Kit 3/4"	\$15.80
133142-01	Adapter, Tank 2" x 1" NPT	\$35.50
133142-02	Tank Adapter, 2" NPT x 1/4" NPT	\$31.50
133182-01	Poppet Spring	\$6.00
133262-05	Hose Assy, 1" x 20ft	\$94.20
133419-01	Switch Locking Lever	\$26.26
133419-02	Switch Locking Lever	\$38.86
133501-1	Vane Kit (8 Vanes, Drive Key & O-Ring)	\$66.60
133502-1	Vane Kit	\$113.00
133503-05	XTS Shaft Seal (-40°F)	\$65.60
133503-1	Shaft Seal Kit	\$55.10
133504-1	Seal Kit	\$21.40
133505-01	Poppet Assy Kit	\$19.56
133505-04	Poppet Assy Kit	\$22.06
133509-02	Brush Kit (16-bar)	\$65.38
133516-01	1/3 HP Motor Assy 115VAC	\$630.00
133521-01	Spares, Motor 3/4HP, 115/ 230VAC	\$893.00
133532-01	Fuse Kit	\$14.70
133532-02	Fuse Kit, 40 AMP	\$13.12
133534-01	Switch Kit	\$33.60
133535-01	Switch Kit	\$28.36
133802-01	Cover, Switch	\$17.86
13381101	Cover Nozzle	\$13.66
133845-501	Switch Acuator Kit	\$10.00
133848-01	Switch Bracket	\$6.00
133865-501	Switch	\$21.00
133881-01	Cover	\$15.76
136157-501	Hose, (3/4" NPT x 5/8" x 10ft)	\$37.00
137007-01	Switch Lever Assy	\$6.00
137012-01	Gear Coverplate	\$6.00
137014-01	Switch Coverplate	\$13.84
137030-505	Adapter, Bung	\$11.56
137031-01	Bypass Poppet	\$6.00
137039-06	Spring, Bypass Poppet	\$6.00
137078-501	Kit, Motor, EZ-8, 12VDC	\$231.00
13750001	Fuse Holder Kit	\$11.00
13750002	Wet Seal Kit	\$11.10
13750003	Gear Kit (MFG on/b4 Jan 08 2016)	\$13.12
13750004	Gear Coverplate Kit	\$11.32
13750005	Overhaul Kit (MFG on/b4 Jan 08 2016)	\$26.30
13750006	Drive Key Kit (MFG on/b4 Jun 08 2016)	\$6.00

1.) LOCATE YOUR PART & PART NUMBER IN THE EXPLODED VIEWS, STARTING ON PAGE 8. 2.) LOOKUP YOUR PART PRICE IN THE TABLES BELOW.

PRICE LIST BY PART NUMBER

Part no.	Description	Price
137500-13	Gear Kit (MFG on/b4 Jan 15 2016 or later)	\$13.12
137500-14	Overhaul Kit (MFG Jan 15 216 or later)	\$27.30
138100-01	Housing	\$49.36
138101-01	Inlet	\$12.60
138102-01	Outlet	\$26.26
138103-01	Cover	\$10.50
138104-01	Ring, Spacer	\$15.76
138105-01	DP-20 Washer, Diaphragm	\$6.00
138106-02	Retainer, Diaphragm	\$8.00
138109-01	Handle	\$14.70
138111-01	Clasp	\$6.00
138112-01	Nut, Lock -Base to Tank	\$6.00
138113-01	Shaft -Thru Diaphragm	\$15.76
138123-01	Nozzle, Unleaded	\$8.00
138126-01	Inlet Screen	\$6.00
138127-01	Retaining Ring -Inlet Side	\$6.00
138500-501	Hardware Kit	\$7.00
138501-01	Diaphragm & Seal Kit	\$33.60
138502-01	Check Valve & Gasket Kit	\$23.10
138503-01	DP-20 Anti-Siphon Valve Kit	\$22.06
139130-02	FITTING, QM METER, 1" MNPT (MACH)	\$47.26
139500-01	Seal Kit	\$15.76
139500-02	Fitting Kit 1" NPT	\$52.50
139500-03	Fitting Kit 1" BSPP	\$52.50
139500-04	Knob Assy Kit	\$15.76
139500-05	Counter Assy Kit	\$126.00
139500-06	Rotor Kit	\$42.00
139500-07	Coverplate Assy Kit Gallon	\$78.76
139500-08	Coverplate Assy Kit Litre	\$78.76
139500-09	Calibration Screw Kit	\$10.50
139500-10	Back Plate Kit	\$15.76
139500-11	Top Cover Kit, Gallon	\$47.26
139500-12	Top Cover Kit, Litre	\$57.76
139500-13	Middle Cover Kit	\$15.76
139500-14	Strainer Kit	\$15.76
139500-15	Unleaded Fuel Kit	\$15.76
139500-17	Faceplate Kit Gallon	\$126.00
139500-18	Faceplate Kite Liter	\$210.00
142001-01	Adapter, Gerotor Housing	\$23.10
142002-01	Pump Body	\$31.50
142005-01	Spring, Bypass	\$6.00
142008-01	Screen, Inlet	\$6.00
142009-01	Cover, Base	\$8.00
142014-01	Motor, 115VAC, 1/2HP, 1725 RPM	\$341.00
142016-01	Motor, 12VDC, 1/2HP, 1800 RPM	\$761.00
142021-01	Poppet Assy	\$22.06
142022-501	Inlet Base Assy	\$78.76
142023-01	Poppet Plug Assy	\$36.76
142028-01	Motor, 115VAC, 1HP, 3450 RPM	\$347.00

Part no.	Description	Price
142500-01	Gerotor Kit	\$63.00
143500-10	Switch Kit	\$17.32
143500-14	Inlet Kit	\$420.00
143500-15	Solenoid & Outlet Kit	\$630.00
143500-17	Shaft and Screw Kit	\$42.00
144102-01	Cap, Bypass Valve	\$6.00
144103-02	Spring, Bypass Valve	\$6.00
144104-01	Poppet, Bypass Valve	\$6.00
144105-01	Orifice Seal, Bypass Valve	\$6.00
144110-01	Rotor 5-Vane	\$23.10
144111-01	Carbon Sliding Vane 1.50"	\$6.00
144112-01	Drive Key	\$6.00
144124-01	Cover, Terminal Box	\$6.00
144125-01	Switch Bracket	\$6.00
144126-01	Cover, Switch Box	\$12.60
144127-01	Switch Bushing	\$6.00
144129-01	Switch Lever	\$8.00
144132-01	Cover, Closed Nozzle	\$15.76
144133-01	Cord Assy (10/2x18ft)	\$37.80
144140-01	Inlet Screen	\$6.00
147500-01	KIT, OVERHAUL, GEARS AND SEALS	\$21.00
150100-501	Hose Assy 1" NPT x 1" x 18ft	\$148.00
162501-01	Gear Kit	\$36.00
162502-01	Seal Kit, G20	\$15.00
162516-503	Outlet Hardware Kit	\$8.00
165700-01	Kit, Seal, M30	Contact Factory
165700-02	Kit, Fitting, 1" NPT	Contact Factory
165700-04	Kit, Knob	Contact Factory
165700-05	Kit, Counter Assembly	Contact Factory
165700-06	Kit, Decal, Gallon	Contact Factory
165700-07	Kit, Decal, Litre	Contact Factory
501009-501	Cord 10/2 SOOW, 18ft	\$73.50
501010-01	Power Cord, 12GA 18ft	\$63.00
501500-03	Vane Kit	\$52.50
501500-04	Shaft Seal Kit	\$47.26
503500-02	Switch Kit	\$28.36
504500-02	Switch Kit	\$33.60
504500-03	Vacuum Breaker Kit	\$100.00
504500-04	Spare Base Assy	\$126.00
901001-51	Cover Seal	\$6.00
901001-77	Seal, Filter Can & Strainer Cvr Plate	\$6.00
901001-78	O-Ring, -153, 3.487 ID x .103 -under Cvr Plate	\$13.44
901001-90	O-Ring, -226, 1.984 ID x .139, NBR, R/C -Strainer Cvr Plate	\$6.00
901001-91	Seal, Motor Adapter	\$6.00
901002-50	O-Ring -916, 1.171 ID x 116, NBR -Poppet	\$6.00

PRICE LIST BY PART NUMBER

Part no.	Description	Price
901002-58	RP-10 Back up Ring -Behind Cvr Plate	\$6.00
901002-89	O-Ring, -133, 1.799 ID x .103, NBR, R/C -Inlet Base	\$6.00
901003-15	O-Ring, -237, 3.359 ID x .139, NBR, R/C -Rotor Cvr Plate	\$6.00
901003-63	O-Ring -114, .612 ID x .103 Nitrile -Behind Retainer	\$6.00
901003-64	O-Ring -160, 5.237 ID x .103 Nitrile -Cvr Plate	\$8.00
901003-70	O-Ring, -154, 3.737ID x .103 NBR Switch Cover Plate	\$6.00
901003-76	O-Ring, Gear Coverplate	\$6.00
901003-77	O-Ring, Bypass Poppet	\$6.00
90100387	O-Ring -Behind Gerator	\$6.00
90100388	O-Ring -Above Base Assy	\$6.00
90100389	O-Ring Strainer Cvr Plate	\$6.00
90100407	Computer O-Ring	\$6.00
901004-09	Battery Compartment O-Ring	\$6.00
901004-10	O-Ring, -143 , 2.425 ID x .103 NBR -Rotor Cvr Plate	\$6.00
901004-12	O-Ring, -148, 2.737 ID x .103, NBR -Terminal Box Cvr. Plate	\$6.00
901004-13	O-Ring, -156, 4.237 ID x .103 NBR -Switch Cvr. Plate	\$6.00
901004-26	O-Ring, -135, 1.925 ID x .103 NBR -Inlet Base	\$6.00
901004-41	O-Ring, Inlet -237, 3.359ID x .139 FKM	\$10.00
902002-91	Switch, Rocker	\$17.24
902005-91	Strain Relief Sealing Grip	\$10.00
902006-31	Motor Protector	\$10.00
902006-38	Motor Protector	\$23.44
902006-555	Switch, Circuit Breaker Assy 12VDC	\$61.60
902006-60	Switch/ Motor Protector 24VDC Motor	\$85.50
902007-530	Switch, Toggle	\$12.60
90200784	Battery (AA Lithium -4ea)	\$89.26
902007-96	Strain Relief Sealing Grip	\$6.00
904001-37	Hex Head Screw 5/16" -18 x 3/4" -Inlet Base to Pump Housing	\$6.00
904001-42	Plug, Pipe 3/4" -14 NPTF, Square Socket	\$6.00
904001-55	Retaining Ring	\$6.00
904001-88	Set Screw for Nozzle Hook x2 needed	\$6.00
904001-99	Screw, Pan HD, 8-32x5/16" -Switch Assy	\$6.00
904002-22	Screw, SEMS, Part Head #10, 32 x 5/16"-Strainer Cvr. Plate	\$6.00
904002-23	Screw/ Washer, SEMS, 1/4" -20x3/4" -Cvr Plate & Inlet/ Outlet Cvrs	\$6.00
904002-24	Screw/ Washer SEMS 5/16"-18 x 3/4"	\$6.00
904002-25	Screw, Machine, Truss Head #10-32 x 1/2" -Switch to Housing	\$6.00
904002-517	Strain Relief Sealing Grip	\$9.90
904002-58	Pin, Hitch Clip	\$6.00
904003-20	Retaining Ring, Internal -Bottom of Piston	\$6.00
904003-33	Screw, Hex Head, 1/4 -20 x 1/2 -Nozzle Hanger	\$6.00
904003-49	Screw, SEMS 1/4-20 x 1"-Coverplate	\$6.00
904003-70	Washer, Motor Shaft	\$6.00

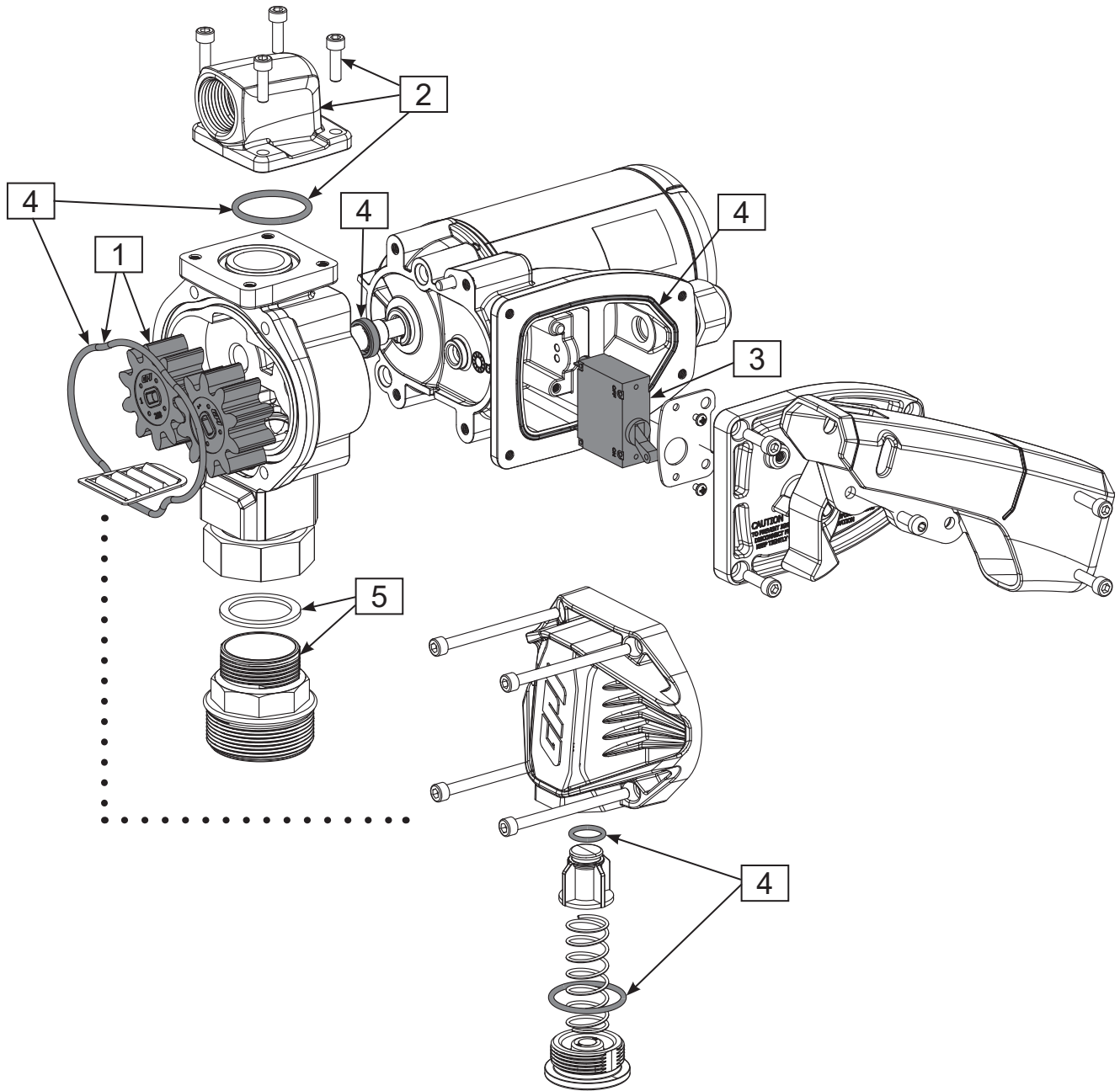
Part no.	Description	Price
904003-84	Screw, Torx Hex, SS, #8-32 x 3/8" -Switch	\$6.00
904003-91	Screw, SEMS 1/4-20x3/4" - Lower Case Assy 2"	\$6.00
904003-92	Screw, SEMS 5/16 x 7/8" -Handle	\$6.00
904004-16	Screw 1/4-20 x 3/4" -Cvr Plate	\$6.00
904004-19	Screw, Head Hex Cap	\$6.00
904004-2	Screw, Cap. Hex Head 5/16-18 x 2 3/4"	\$6.00
904004-30	Screw, Hex Head 10-32 x 5/8 in. -To Retainer Plate	\$6.00
904004-37	Screw, Hex Head, 5/16" -18 x 1" -Inlet Base to Pump	\$6.00
904004-43	Street Elbow 1" NPT	\$6.00
904004-59	Screw, Hex Head Cap, 5/16" -18 1/2" -Housing	\$6.00
904004-60	Screws, Retainer	\$6.00
904004-71	RP-10 Washer	\$6.00
904004-73	RP-10 Elbow, Street 3/4"	\$6.00
904004-89	Spring Pin	\$6.00
904004-97	Retaining Ring -On Switch Acuator Assy	\$6.00
904005-27	Screw, SEMS -Battery Cvr Plate	\$6.00
904005-28	Screw, Self-Sealing -Battery Cvr Plate	\$6.00
904005-29	Washer 1/4in -Housing	\$6.00
904005-39	Screw, 1/4-20x7/8 -Cvr & Outle/ Inlet	\$6.00
904005-40	Screw, Tapping, #8 -32 x 1/2" -Brckt Switch	\$6.00
904005-56	Screw, Pan Head, SS #6-32 x 3/16"	\$6.00
904005-59	Pin, Spring -Behind Pump Body	\$6.00
904006-16	Washer, Flat	\$6.00
904006-31	Pin, Groove -Installs in Piston	\$6.00
904006-32	Pin, Clevis 3/8"	\$6.00
904006-33	Retaining Ring 1/16" Diameter, Carbon Steel -Shaft Seal	\$6.00
904006-38	Screw, Hex Head 3/8" -16 x 1" -Rotor Cvr. Plate	\$6.00
904006-49	Screw, Hex Head, 3/8 -16 x 3/4" -Housing to Motor	\$6.00
904006-54	Screw, Socket Head, 3/8" -16 x 1"	\$6.00
904006-57	Washer, Spacer	\$6.00
904006-62	Nut, Lock, Hex, Center Type 3/8 -16	\$6.00
904006-63	Washer, Spring -Switch Lever	\$6.00
904006-69	Washer, Flat -Flapper Valve	\$6.00
904006-70	Screw, Ground Binding Head #10-32 x 3/8"- Brkt Switch	\$6.00
904006-86	Screw, Tapping Hex Head, 1/4-20 x1/2"- Nozzle Cvr	\$6.00
904007-15	Screw Socket Head Cap, Hex, 1/4" -20 x 3/16" -Switch Cvr Plate	\$6.00
904007-53	Locknut for Bung	\$10.00
904007-65	Washer, flat -Cvr Plate	\$6.00
90400793	Screw, Hex Head -Mounts Pump Body	\$6.00
90400794	Screw, Head-Strainer Cvr Plate	\$6.00
90400795	Seal, Radial Lip	\$6.00
90400807	Screw, Hex Head -Mounts Gerator Adap-tor	\$6.00
90400812	Pipe Plug 1/4" NPT (Tank Adapter)	\$6.00

1.) LOCATE YOUR PART & PART NUMBER IN THE EXPLODED VIEWS, STARTING ON PAGE 8. 2.) LOOKUP YOUR PART PRICE IN THE TABLES BELOW.

PRICE LIST BY PART NUMBER

Part no.	Description	Price
90400823	Screw, Socket Head, 5/16-18x 7/8" -Inlet Base to Pump	\$6.00
904008-30	Screw, 3/8" x 3/4" -Diaphragm	\$6.00
904008-32	Pin Spring	\$6.00
904008-43	Washer, Lock 3/8" Split -Diaphragm	\$6.00
904008-52	Wave Overlap Spring -Behind Switch Lever	\$6.00
904008-53	Washer, .416, .750x.63, Alum -Shaft Seal	\$6.00
904008-54	Retaining Ring, 10mm -Shaft Seal	\$6.00
904008-57	Screw, HSHC, 1/4 -20 x 1 1/2" -Motor to Housing	\$6.00
906001-4	Pressure Vent Cap (3PSI)	\$47.60
906001-43	Grip	\$6.00
906001-506	Nozzle, Manual Leaded, 3/4" NPT	\$73.70
906001-67	Module, Planetary Gear	\$77.76
906004-50	Spring Pin	\$6.00
906005-58	Piston Ring	\$12.02
906006-53	Shaft Seal	\$17.98
90600658	Valve, Ball w/ 45° Spout	\$26.26
906007-29	FITTING, COUPLING, 1" NPT -QM Outlet to hose	\$6.00
906008-570	Nozzle, Auto 1" NPT UL	\$102.90
906009-505	Nozzle, Auto Diesel NPT UL XTREME	\$315.00
906010-01	Shaft Seal, 10mm NBR	\$26.26
906020-22	Nozzle, Manual Leaded 1" NPT	\$78.22

ILLUSTRATED PARTS DRAWING: G20



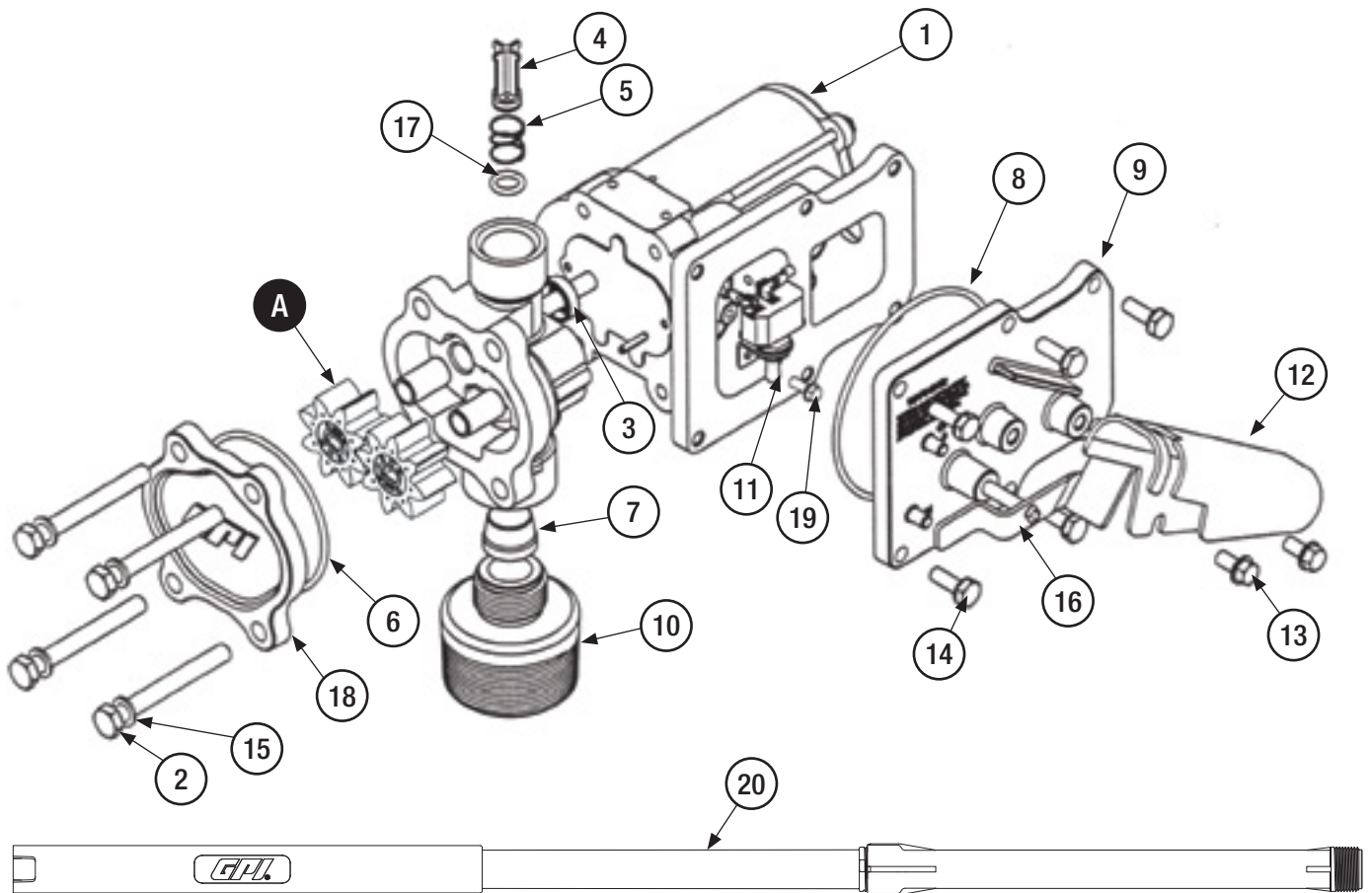
Ref. No.	Description	Part Number	Qty.
1	Gear Kit	162501-01	
	Gear Coverplate O-ring #226	▲	1
	Gears	▲	2
2	Outlet Hardware Kit	162516-503	
	5mm Hex Key	▲	1
	M6-1.0 x 20mm SHCS	▲	4
	Outlet Port O-ring #222	▲	1
3	Switch Assembly	902006-555	1

(▲) Available as part of kit only.

Ref. No.	Description	Part Number	Qty.
4	Seal Kit	162502-01	
	Bypass Valve Orifice Seal	▲	1
	Bypass Poppet O-ring #920	▲	1
	Gear Coverplate O-ring #226	▲	1
	Outlet Port O-ring #222	▲	1
	Motor Shaft Seal	▲	1
	Electrical Coverplate Seal	▲	1
5	Bung Adapter Kit	110909-1	
	Bung Adapter	▲	1
	Gasket	▲	1

(▲) Available as part of kit only.

ILLUSTRATED PARTS DRAWING: EZ-8



Individual Parts

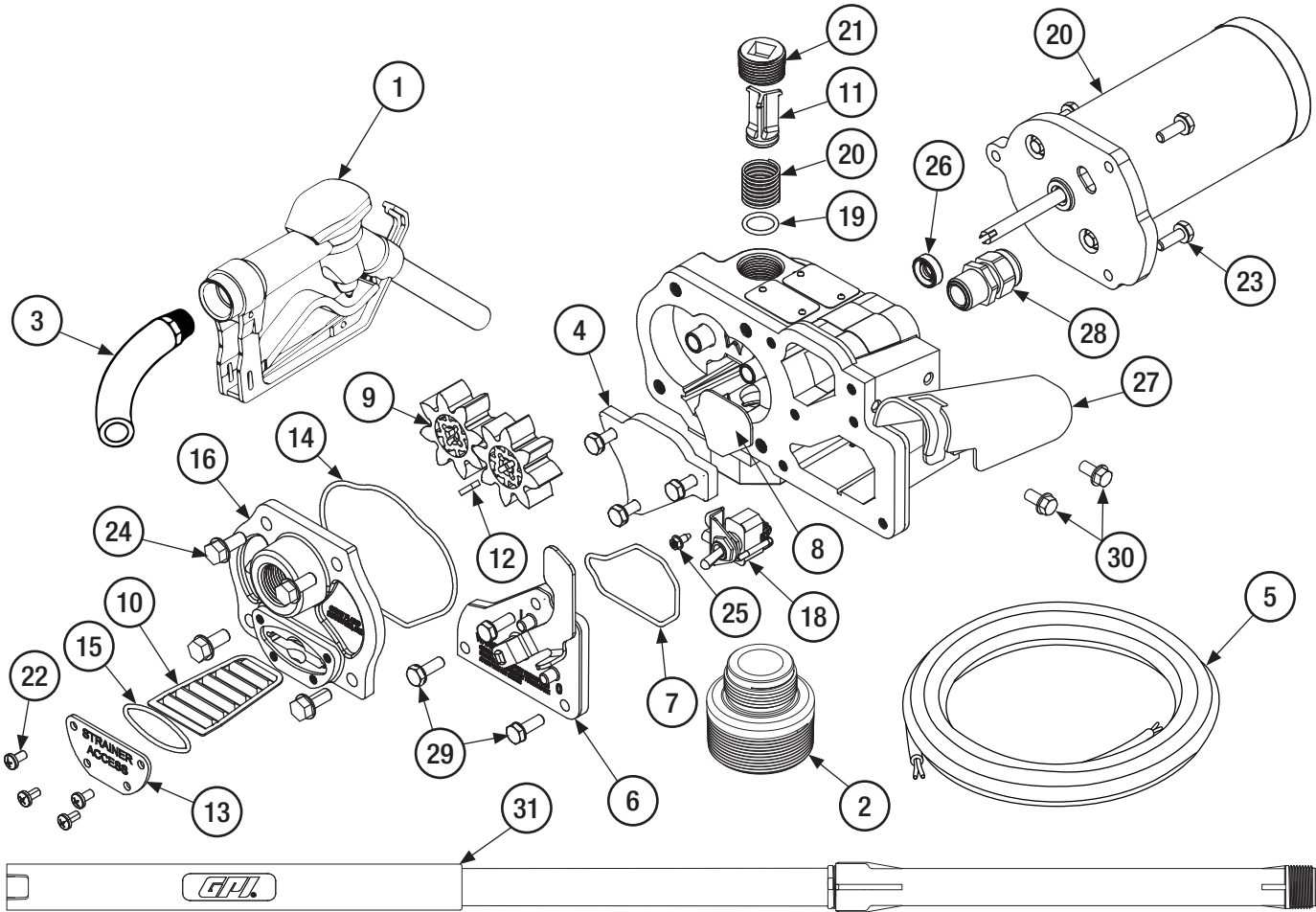
Item No.	Part No.	Description	Req'd.
1	137078-501	Kit, Motor, EZ-8, 12VDC	1
2	904004-2	Screw, Cap, Hex Head, 5/16-18 x 2 3/4"	4
3	11002502	Seal, Motor Shaft or Kit B , C or D	1
4	137031-01	Bypass Poppet	1
5	137039-06	Spring, Bypass Poppet	1
6	901003-76	O-Ring, Gear Coverplate or Kit A , B , C or D	1
7	123038-1	Inlet Strainer	1
8	901003-70	O-Ring, .154, 3.737 ID x .103, NBR or Kit B or C	1
9	137014-01	Switch Coverplate	1
10	137030-505	Adapter, Bung	1
11	902007-530	Switch, Toggle	1
12	110360-02	Nozzle Cover	1
13	904006-86	Screw, Tapping, Hex Head, 1/4-20 x 1/2"	2
14	904002-23	Screw, SEMS	4
15	904007-65	Washer, Flat	4
16	137007-01	Switch Lever Assy	1
17	901003-77	O-Ring, Bypass Poppet or Kit C or D	1
18	137012-01	Gear Coverplate or Kit B	1
19	904003-84	Screw, Torx Hex, Stainless Steel, #8-32 x 3/8"	1
20	110241-01	Suction Pipe Assembly	1

Kits and Accessories

Item No.	Part No.	Description
	13750006	For pumps mfg. on or before Jan. 8, 2016 DRIVE KEY KIT (includes Drive Key)
	13750001	FUSE HOLDER KIT (includes Fuse Holder, Fuse, Wire)
	13750004	GEAR COVERPLATE KIT (includes Gear Coverplate & Gear Coverplate O-Ring #6)
A	13750003	For pumps mfg. on or before Jan. 8, 2016 GEAR KIT (includes 2 Gears & Drive Key) or Kit B
A	137500-13	For pumps mfg. Jan. 15, 2016 or later GEAR KIT (includes 2 Gears & Coverplate O-Ring #6) or Kit C
B	13750005	For pumps mfg. on or before Jan. 8, 2016 OVERHAUL KIT (includes 2 Gears, Drive Key, Motor Shaft Seal #3, O-Ring #6, O-Ring #8, & O-Ring #18)
C	137500-14	For pumps mfg. Jan. 15, 2016 or later OVERHAUL KIT (includes 2 Gears, Motor Shaft Seal #3, O-Ring #6, O-Ring #8, O-Ring #17, Switch Lever Shaft Seal)
D	13750002	WET SEAL KIT (includes Motor Shaft Seal #3, Gear Coverplate O-Ring #6 & O-Ring #17)
	110037-1	Bushing, Tank Bung Adapter (Spin Collar Model)
	136157-01	Hose, (3/4-inch NPT x 5/8 x 10 ft.)
	110155-1	Nozzle, Manual 3/4", Unleaded
	110412-15	Power Cord, 14 ga. x 15 ft. (4.6 m)
	904002-17	Strain Relief Sealing Grip

For more information refer to Owner's Manual 921803-01

ILLUSTRATED PARTS DRAWING: M-150S-EM



Individual Parts

Item No.	Part No.	Description	Req'd.
1	110155-1	Nozzle, Manual 3/4", Unleaded.....	1
2	110382-501	Inlet Fitting, 2" NPT x 1.25" NPSM.....	1
3	110187-2	Hose, 3/4" x 3/4" x 10'.....	1
4	110195-02	Coverplate, Electrical.....	1
5	110265-02	Power Cord, 12 ga. x 18 ft.....	1
6	110276-501	Switch Coverplate Assy.....	1
7	110026-6	O-Ring, Switch Coverplate.....	1
8	110285-01	Electrical Coverplate Gasket.....	1
9	110907-1	Gear Kit (2 Gears & Drive Key or Kit A).....	1
10	110009-501	Inlet Strainer.....	1
11	110010-501	Bypass Poppet.....	1
12	110913-2	Motor Shaft Key or Kit A or C	1
13	110024-1	Coverplate, Strainer.....	1
14	901003-70	O-Ring, Gear Coverplate or Kit A or E	1
15	110026-4	O-Ring, Strainer Coverplate or Kit E	1
16	110184-02	Gear Coverplate.....	1
17	110131-2	Spring, Bypass Poppet.....	1
18	902007-30	Switch, Toggle (includes Switch only) or Kit D	1
19	110908-1	O-Ring, Bypass Poppet or Kit B or E	1
20	119200-551	Motor, 12-Volt (M-150).....	1
21	904001-42	Plug, Pipe, 3/4-14 NPTF, Square Socket.....	1
22	904002-22	Screw, SEMS, Pan Head, #10, 32 x 5/16".....	4
23	904002-23	Screw/Washer, SEMS, 1/4"-20 x 3/4".....	3
24	904002-24	Screw/Washer, SEMS, 5/16"-18 x 3/4".....	4
25	904003-84	Screw, Torx Hex, Stainless Steel, #8-32 x 3/8".....	1
26	11002502	Motor Shaft Seal or Kit E	1

Individual Parts

Item No.	Part No.	Description	Req'd.
27	110360-02	Nozzle Cover.....	1
28	904002-517	Strain Relief Sealing Grip.....	1
29	904002-23	Screw/Washer, SEMS, 1/4"-20 x 3/4".....	6
30	904006-86	Screw, Tapping, Hex Head, 1/4"-20 x 1/2".....	2
31	110241-01	Suction Pipe Assembly.....	1

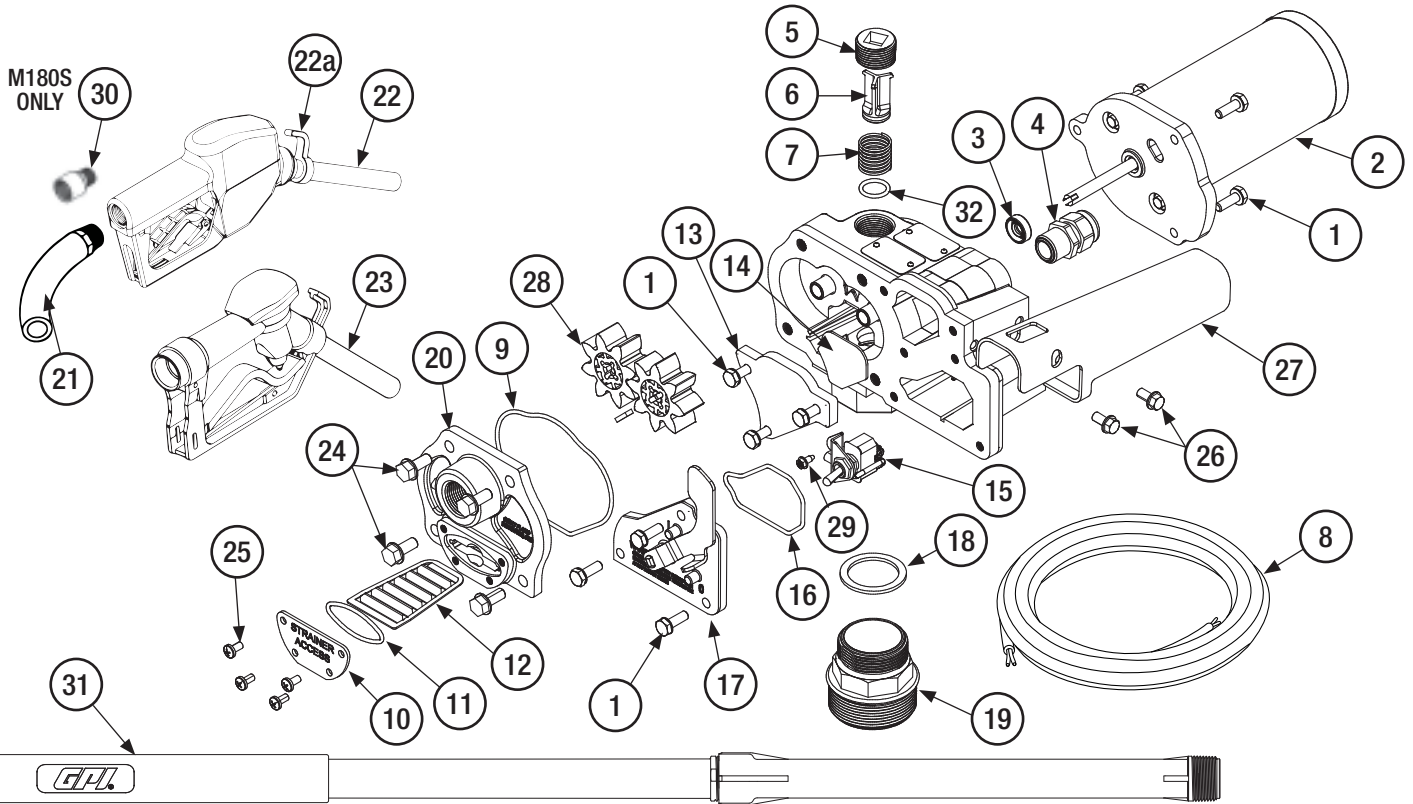
Kits and Accessories

Item No.	Part No.	Description
	110500-02	FUSE KIT, 25 Amp
	110527-1	BATTERY CLAMP KIT (includes 2 Battery Clamps)
A	110504-1	FUEL PUMP OVERHAUL KIT (includes 2 Gears #9, Drive Key #12 & O-Rings #14)
B	110908-1	POPPET SEAL KIT (includes Poppet O-Ring #19)
C	110913-2	SPARE KEY KIT (includes Spare Drive Key #12)
D	110277-05	SWITCH KIT (includes Switch #18, Breaker [902006-31] & Bracket)
E	110906-1	WET SEAL KIT (includes Coverplate O-Ring #14, Strainer Access O-Ring #15, Bypass Poppet O-Ring #19 & Motor Shaft Seal #26)

Motor Repair Components - See next page.

For more information refer to Owner's Manual 921589-08

ILLUSTRATED PARTS DRAWING: M-150S, M-180S & M-240S



Individual Parts

Item No.	Part No.	Description	Req'd.
1	904002-23	Screw/Washer Assy, SEMS, 1/4-20 x 3/4".....	9
2	119200-551	Motor, 12-volt (UL) (M-150S).....	1
	119201-551	Motor, 12-volt (UL) (M-180S).....	1
	119200-552	Motor, 24-volt (UL) (M-240S).....	1
3	11002502	Seal, Motor Shaft or Kit A	1
4	904002-517	Strain Relief Sealing Grip (12-volt & 24-volt).....	1
5	904001-42	Plug, Pipe, 3/4-14 NPTF, Square Socket.....	1
6	110010-501	Bypass Poppet.....	1
7	110131-2	Spring, Bypass Poppet (M-150S, M-240S).....	1
	110011-2	Spring, Bypass Poppet (M-180S).....	1
8	110265-02	Power Cord, 12 ga. x 18 ft. (5.5 m).....	1
9	901003-70	O-Ring, Gear Coverplate or Kit A or B	1
10	110024-1	Coverplate, Strainer.....	1
11	110026-4	O-Ring, Strainer Coverplate or Kit B	1
12	110009-501	Inlet Strainer.....	1
13	110195-02	Coverplate, Electrical.....	1
14	110285-01	Electrical Coverplate Gasket.....	1
15	110277-505	M-150S Switch Assembly (Switch, Breaker, Bracket).....	1
15	110277-506	M-240S Switch Assembly.....	1
15	110277-507	M-180S Switch Assembly.....	1
16	110026-6	O-Ring, Switch Coverplate.....	1
17	110276-01	Switch Coverplate Assembly.....	1
18	110032-501	Gasket, Union Ring.....	1
19	110909-1	Bung Adapter.....	1
20	110927-04	Gear Coverplate Kit (M-150S, M-240S).....	1
20	110927-05	Gear Coverplate Kit (M-180S).....	1
21	110187-1	Hose, 3/4 in. x 12 ft., (3.7 m).....	1
21	110188-1	Hose, 1 in. x 12 ft., (3.7 m) (M-180S only).....	1
22	110121-8	Nozzle, Automatic 3/4 in., Unleaded (UL).....	1
22a	110540-01	Hook for Automatic Nozzle.....	1
23	110155-1	Nozzle, Manual 3/4", Unleaded.....	1
23	110155-3	Nozzle, Manual 1", Leaded.....	1
24	904002-24	Screw/Washer, SEMS, 5/16"-18 x 3/4".....	4
25	904002-22	Screw, Pan Head, SEMS, #10, 32 x 5/16".....	4

Individual Parts

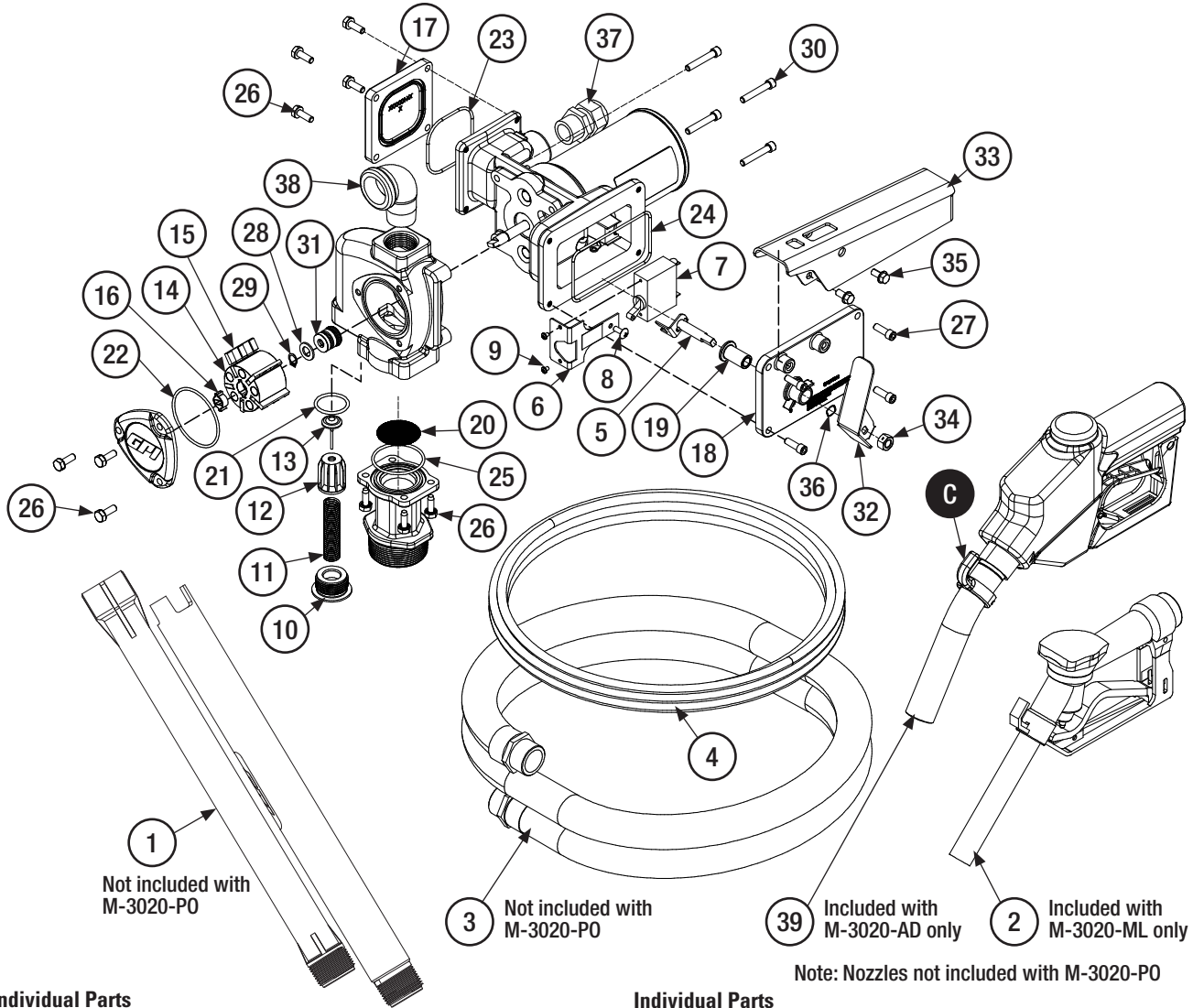
Item No.	Part No.	Description	Req'd.
26	904006-86	Screw, Tapping, Hex Head, 1/4-20 x 1/2".....	2
27	11030302	Nozzle Cover.....	1
28	110907-1	Gear Kit - (2 Gears & Drive Key or Kit A).....	1
29	904003-84	Screw, Torx Hex, Stainless Steel, #8-32 x 3/8".....	1
30	110122-1	Reducer (M-180S only) 1" x 3/4".....	1
31	110241-01	Suction Pipe Assembly.....	1
32	110908-1	POPPET SEAL KIT (includes Poppet O-Ring)	1

Kits and Accessories

Item No.	Part No.	Description
	110527-1	BATTERY CLAMP KIT (includes 2 Battery Clamps)
	110525-1	BRUSH CARD ASSEMBLY KIT (includes Brush Holder Assembly (M-150S and M-240S, 6 3/8 in. Motor))
A	110504-1	FUEL PUMP OVERHAUL KIT (includes 2 Gears, Drive Key #28 & O-Rings #9)
	110500-01	FUSE KIT: 15-amp (M-240S)
	110500-02	FUSE KIT: 25-amp (M-150S)
	110500-03	FUSE KIT: 30-amp (M-180S)
	110913-2	SPARE KEY KIT (includes Spare Drive Key)
B	110906-1	WET SEAL KIT (includes Gear Coverplate O-Ring #9, Strainer Coverplate O-Ring #11, O-Ring [118017-3] & Motor Shaft Seal #3)
	110016-501	Inlet Fitting
	902006-31	M-150S Motor Protector Only
	902006-38	M-180S Motor Protector Only
	110158-501	Union Ring

For more information refer to Owner's Manual 921422-18

ILLUSTRATED PARTS DRAWING: M-3020



Individual Parts

Item No.	Part No.	Description	Req'd.
1	110241-01	Suction Pipe Assembly.....	1
2	110155-24	Nozzle, Manual Leaded, 1" NPT.....	1
3	110188-1	Fuel Hose, 1 NPT x 1 x 12'.....	1
4	110265-02	Power Cord, 12-2, 18'.....	1
5	133086-1	Switch Actuator Assembly.....	1
6	144125-01	Switch Bracket.....	1
7	902006-555	Switch, Circuit Breaker for 12 VDC.....	1
8	904002-25	Screw, Machine, Truss Head, #10-32 x 1/2".....	1
9	904005-56	Screw, Pan Head, Stainless Steel, #6-32 x 3/16".....	2
10	144102-01	Cap, Bypass Valve.....	1
11	144103-01	Spring, Bypass Valve.....	1
12	144104-01	Poppet, Bypass Valve.....	1
13	144105-01	Orifice Seal, Bypass Valve.....	1
14	144110-01	Rotor, 5-Vane or Kit.....	1
15	144111-01	Carbon Sliding Vane, 1.50" or Kit A	5
16	144112-01	Drive Key or Kit A	1
17	144124-01	Cover, Terminal Box.....	1
18	144126-01	Cover, Switch Box.....	1
19	144127-01	Switch Bushing.....	1
20	144140-01	Inlet Screen.....	1
21	901002-50	O-Ring, -916, 1.171 ID x .116, NBR.....	1
22	901004-10	O-Ring, -143, 2.425 ID x .103, NBR or Kit A	1
23	901004-12	O-Ring, -148, 2.737 ID x .103, NBR.....	1
24	901004-13	O-Ring, -156, 4.237 ID x .103, NBR.....	1
25	901004-26	O-Ring, -135, 1.925 ID x .103, NBR.....	1

For more information refer to Owner's Manual 922099-01

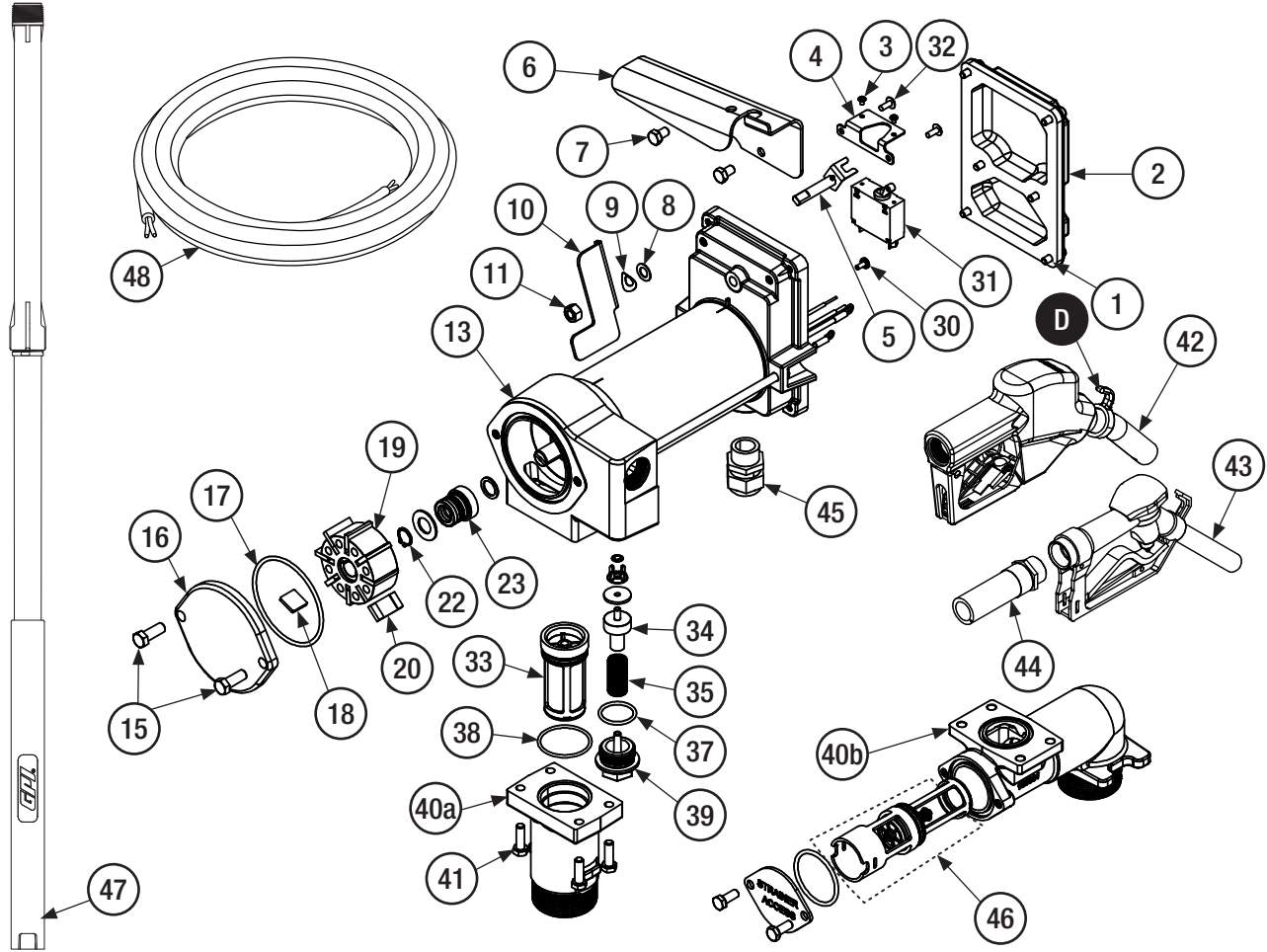
Individual Parts

Item No.	Part No.	Description	Req'd.
26	904002-23	Screw/Washer Assy, SEMS, 1/4-20 x 3/4".....	11
27	904007-15	Screw, Socket Head Cap, Hex, 1/4"-20 x 3/16".....	4
28	904008-53	Washer, .416, .750 x .063, Aluminum or Kit B	1
29	904008-54	Retaining Ring, 10mm or Kit B	1
30	904008-57	Screw, HSHC, 1/4-20 x 1 1/2".....	4
31	906010-01	Shaft Seal, 10mm, NBR or Kit B	1
32	144129-01	Switch Lever.....	1
33	144132-01	Cover, Closed Nozzle.....	1
34	904006-62	Nut, Lock, Hex, Center Type, 3/8-16.....	1
35	904006-86	Screw, Tapping, Hex Head, 1/4-20 x 1/2".....	2
36	904008-52	Wave Overlap Spring.....	1
37	902007-96	Strain Relief.....	1
38	904004-43	Street Elbow, 1" NPT.....	1
39	906008-570	Nozzle, Automatic Diesel, 1" NPT, UL.....	1

Kits and Accessories

	Part No.	Description
A	501500-03	VANE KIT, O-Ring #22, 7 Vanes #15, Drive Key #16
B	501500-04	SHAFT SEAL KIT, Retaining Ring #29, Shaft Seal #31, Spacer Washer #28
	904001-88	Set Screw Only
C	110540-03	KIT, Nozzle Hook, DIESEL

ILLUSTRATED PARTS DRAWING: M-3025 & M-3425



Individual Parts

Item No.	Part No.	Description	No. Req'd.
1	904007-15	Screw, Socket Head Cap, Hex, 1/4"-20 x 3/16".....	6
2	133076-02	Cover, Conduit Box.....	1
3	904005-56	Screw, Pan Head, Stainless Steel, #6-32 x 3/16".....	2
4	133078-1	Switch Mounting Bracket.....	1
5	133086-1	Switch Actuator Assy.....	1
6	13381101	Cover, Nozzle.....	1
7	904004-59	Screw, Hex Head Cap, 5/16-18 x 1/2".....	2
8	904006-16	Washer, Flat.....	1
9	904006-63	Washer, Spring.....	1
10	133081-1	Switch Lever.....	1
11	904006-62	Nut, Lock, Hex, Center Type, 3/8-16.....	1
13	133508-01	Spare Motor, 12-volt DC.....	1
13	133508-02	Spare Motor, 24-volt DC.....	1
15	904006-38	Screw, Hex Head, 3/8"-16 x 1".....	2
16	133032-02	Coverplate.....	1
17	901003-15	O-Ring, -.237, 3.359 ID X .139, NBR, R/C or Kit A or C	1
18	121010-02	Motor Shaft Key or Kit C	1
19	133022-501	Rotor.....	1
20	133020-1	Vane, Carbon or Kit C	8
22	904006-33	Ring, Retaining, 1/16" Diameter, Carbon Steel or Kit B	1
23	906006-53	Shaft Seal or Kit B	1
30	904006-70	Screw, Ground, Binding Head, #10-32 x 3/8".....	1
31	902006-555	Switch, Circuit Breaker for 12 VDC.....	1
31	902006-60	Switch/Motor Protector for 24 VDC Motor.....	1
32	904002-25	Screw, Machine, Truss Head, #10-32 x 1/2".....	2
33	133102-501	Filter Assy.....	1
34	133505-01	Poppet Assy Kit.....	1
35	133182-01	Poppet Spring.....	1
37	901002-50	O-Ring, -.916, 1.171 ID X .116, NBR, R/C or Kit A	1

Individual Parts

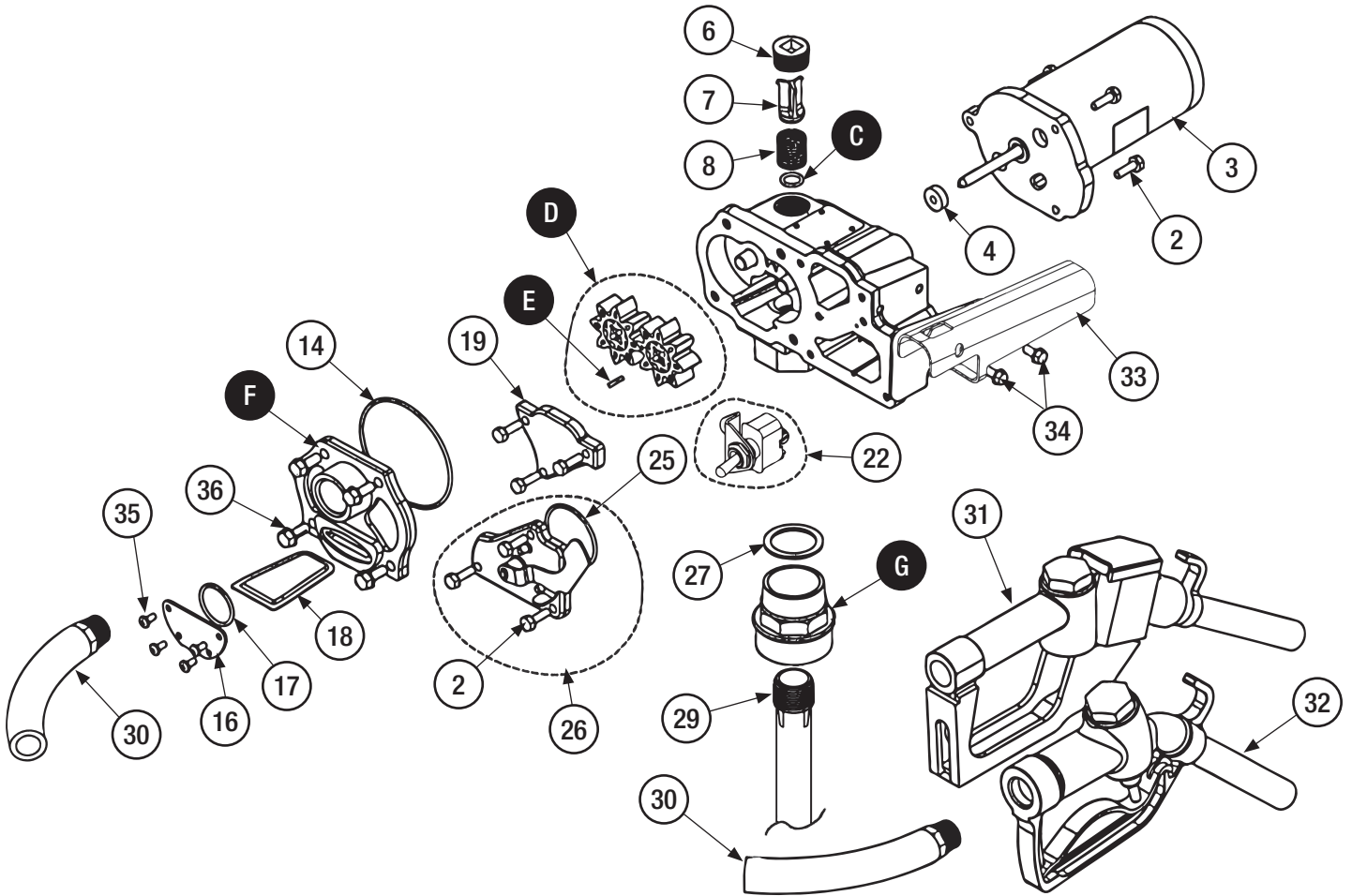
Item No.	Part No.	Description	No. Req'd.
38	901002-89	O-Ring, -.133, 1.799 ID X .103, NBR, R/C or Kit A	1
39	133059-05	Bypass Plug.....	1
40a	133099-02	Inlet Base.....	1
40b	133052-01	Optional Spare Base Assy.....	1
41	904004-37	Screw, Hex Head, 5/16 in. - 18 x 1 in.	4
42	906005-501	Nozzle, Automatic Diesel.....	1
43	110155-4	Nozzle, Manual Leaded, 1" NPT.....	1
44	110188-1	Hose Assy - Fuel, 1 in. x 12 ft.	1
44	110188-02	Hose Assy - Fuel, 1 in. NPT x 1 in. x 18 ft.....	1
44	133262-05	Hose Assy, 1 in. x 20 ft.	1
45	902005-91	Strain Relief Sealing Grip.....	1
46	121013-503	Check Valve Assembly Kit.....	1
47	110241-01	Suction Pipe Assembly.....	1
48	501009-01	Cord, 10/2, SOOW, 18 FT.....	1

Kits and Accessories

Item	Part No.	Description
	133532-01	FUSE KIT, 20-Amp (M-3425)
	133532-02	FUSE KIT, 40-Amp (M-3025)
A	133504-1	SEAL KIT (includes all O-Rings (#17, #37, #38))
B	133503-1	SHAFT SEAL KIT (includes Shaft Seal #23, Washer & Retaining Ring #22)
C	133501-1	VANE KIT (includes 8 Vanes #20, Shaft Key #18 & O-Ring #17)
	133503-05	XTS Shaft Seal (-40°)
	133093-1	Cord Assy, 10/3 x 15 ft.
D	110540-03	KIT, Nozzle Hook, DIESEL

For more information refer to Owner's Manual 921928-06

ILLUSTRATED PARTS DRAWING M-1115S



Individual Parts

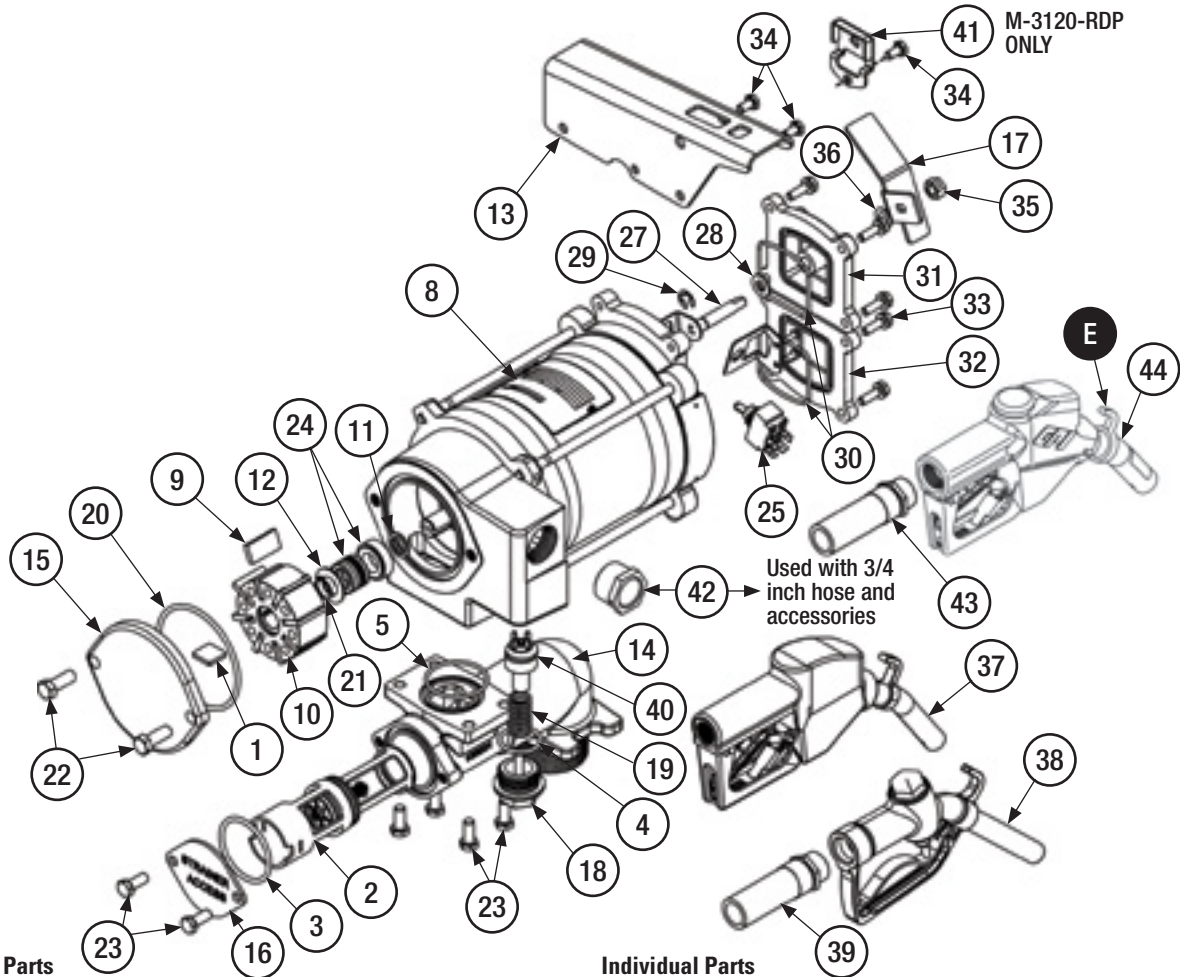
Item No.	Part No.	Description No. Req'd.
2	904002-23	Screw/Washer, SEMS, 1/4"-20 x 3/4".....9
3	119008-551	Motor, 120-volt AC with Circuit Board.....1
4	110025-1	Motor Shaft Seal or (Kit A or B).....1
6	904001-42	Plug, Pipe, 3/4-14 NPTF, Square Socket.....1
7	110010-501	Bypass Poppet.....1
8	110131-2	Spring, Bypass Poppet.....1
14	110026-1	O-Ring, Gear Coverplate or (Kit A or B).....1
16	110024-1	Coverplate, Strainer.....1
17	110026-4	O-Ring, Strainer Coverplate or (Kit A or B).....1
18	110009-501	Inlet Strainer.....1
19	110195-02	Coverplate, Electrical.....1
22	110910-503	Kit, Switch, M-1115S, Replacement.....1
25	110026-6	O-Ring, Switch Coverplate or (Kit A).....1
26	110276-501	Switch Coverplate Assy.....1
27	110032-501	Gasket, Union Ring.....1
29	110241-01	Suction Pipe.....1
30	110049-2	Hose Assembly, 3/4 in. x 12 ft., (3.7 m) U.L.....1
31	110121-8	Nozzle, Automatic Unleaded, 3/4 in., U.L.....1
32	906002-13	Nozzle, Manual Unleaded, 3/4 in., U.L.....1
33	11030302	Cover, Nozzle.....1
34	904006-86	Screw, Tapping, Hex Head, 1/4-20 x 1/2".....2
35	904002-22	Screw, Pan Head, SEMS, #10, 32 x 5/16".....4
36	904002-24	Screw/Washer, SEMS, 5/16"-18 x 3/4".....4

Kits and Accessories

	Part No.	Description
G	110909-1	BUNG ADAPTER KIT
C	110908-1	BYPASS POPPET O-RING KIT or (Kit A or B)
E	110913-2	DRIVE KEY KIT
F	110067-2	GEAR COVERPLATE KIT
D	110907-1	GEAR KIT or (Kit A)
	110540-01	NOZZLE HOOK KIT (includes Hook & 2 Screws)
A	110504-1	OVERHAUL KIT (includes Wet Seal Kit, Kit B plus 2 Gears, Drive Key, O-Ring #25 & Switch Coverplate)
B	110906-1	WET SEAL KIT (includes Motor Shaft Seal #4 & O-Ring for Strainer Coverplate #17, Gear Coverplate #14, Bypass Poppet O-Ring)
	110016-501	Inlet Fitting
	906001-4	Pressure Vent Cap (3 psi)
	110158-501	Union Ring

For more information refer to Owner's Manual 921487-09

ILLUSTRATED PARTS DRAWING: M-3120



Individual Parts

Item No.	Part No.	Description	Req'd.
1	121010-02	Shaft Key or Kit D	1
2	121013-503	Check Valve Strainer Assy	1
3	901001-90	O-Ring, -226, 1.984 ID X .139, NBR, R/C or Kit A	1
4	901002-50	O-Ring, -916, 1.171 ID X .116, NBR, R/C or Kit A	1
5	901002-89	O-Ring, -133, 1.799 ID X .103, NBR, R/C or Kit A	1
8	133516-01	1/3 HP Motor Assy, 115-Volt	1
8	133517-01	1/3 HP Motor Assy, 230-Volt	1
9	133020-1	Vane or Kit D	8
10	133022-501	Rotor	1
11	133026-1	Washer, Slinger	1
12	133027-1	Washer, Spacer or Kit B	1
13	13312401	Cover, Nozzle	1
14	133052-01	Base Assy with Check Valve	1
15	133032-02	Coverplate	1
16	133033-501	Base End Plate	1
17	13312201	Switch Lever	1
18	133059-05	Poppet Plug	1
19	133062-1	Poppet Spring	1
20	901003-15	O-Ring, -237, 3.359 ID X .139, NBR, R/C or Kit A or D	1
21	904006-33	Ring, Retaining, 1/16" Diameter, Carbon Steel or Kit B	1
22	904006-38	Screw, Hex Head, 3/8"-16 x 1"	2
23	904001-37	Hex Head Screw 5/16" - 18 x 3/4"	6
24	906006-53	Shaft Seal or Kit B	1
25	133865-501	Switch or Kit C	1
26	133848-01	Switch Bracket	1
27	133845-01	Switch Acuator Assy	1
28	904006-63	Washer, Spring	1
29	904004-97	Ring, Retaining	1
30	110026-6	O-Ring, Switch Coverplate	2

Individual Parts

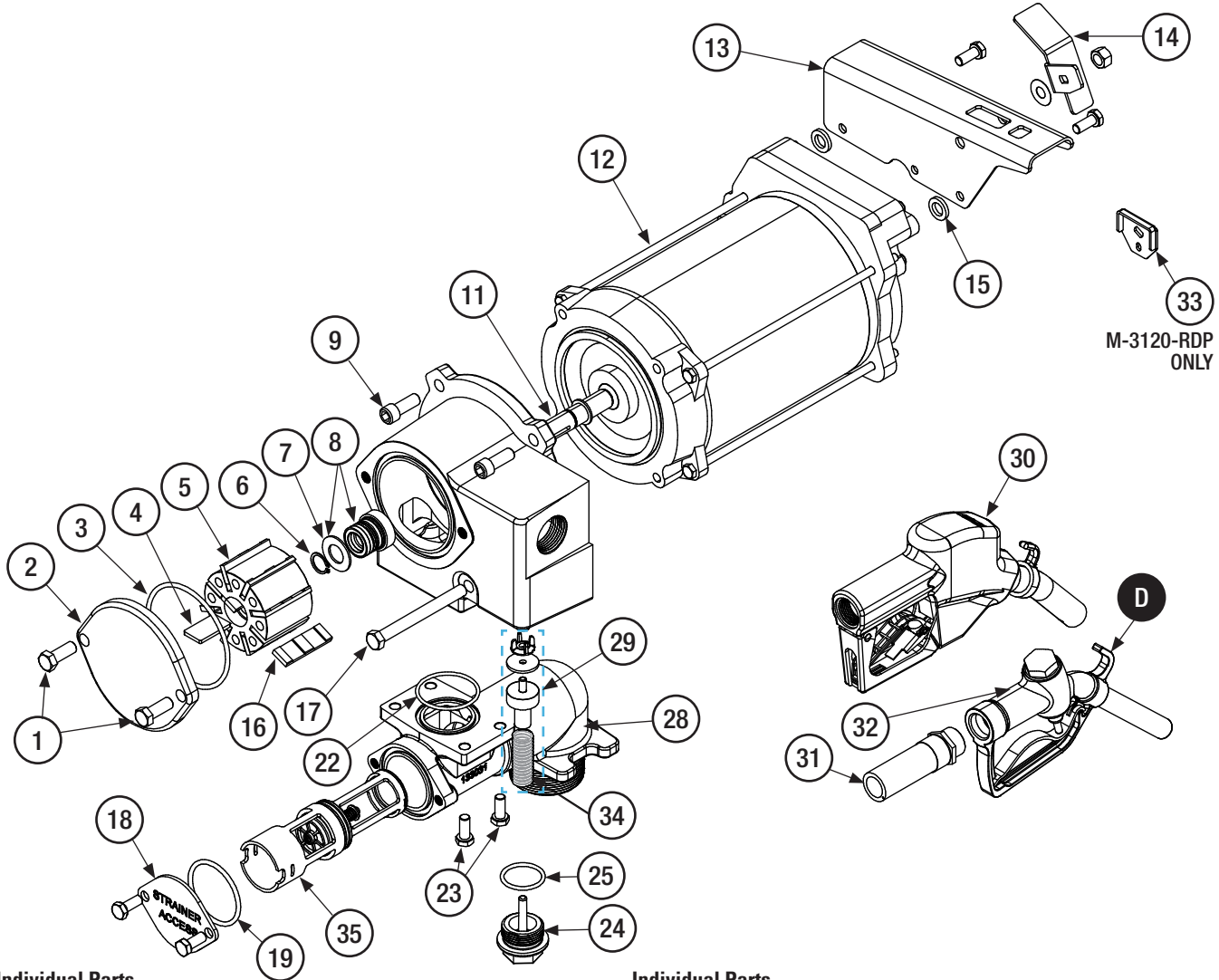
Item No.	Part No.	Description	Req'd.
31	133802-01	Cover, Switch	1
32	133881-01	Cover	1
33	904005-39	Screw, Hex Head, 1/4-20 x 7/8	8
34	904003-33	Screw, Hex Head, 1/4-20 x 1/2	2
35	904006-62	Nut, Lock, Hex, Center Type, 3/8-16	1
36	904006-16	Washer, Nylon	1
37	906004-98	Nozzle, Automatic Leaded, 3/4" NPT	1
38	906001-506	Nozzle, Manual Leaded, 3/4" NPT	1
39	110049-2	Hose Assy, 3/4"	1
40	133505-01	Poppet Assy Kit	1
41	133419-01	Switch Locking Lever (M-3120-RDP only)	1
42	111018-1	Bushing, 1" x 3/4"	1
43	121036-1	Hose Assy, 1"	1
44	906008-570	Nozzle, Automatic Diesel, 1" NPT	1

Kits and Accessories

	Part No.	Description
A	133504-1	SEAL KIT (includes O-Rings #20, #5, #4, & #3)
B	133503-1	SHAFT SEAL KIT (includes Shaft Seal #24, Retaining Ring #21 & Spacer Washer #12)
C	133535-01	SWITCH KIT, #25, M-3120/M-3220
D	133501-1	VANE KIT (includes 8 Vanes #9, Shaft Key #1 & O-Ring #20)
D	110540-03	KIT, Nozzle Hook, DIESEL

For more information refer to Owner's Manual 921927-04

ILLUSTRATED PARTS DRAWING: M-3130



Individual Parts

Item No.	Part No.	Description	Req'd.
1	904006-38	Screw, Hex Head, 3/8"-16 x 1"	2
2	133032-02	Coverplate	1
3	901003-15	O-Ring, -237, 3.359 ID X .139, NBR, R/C or Kit A or C	1
4	121010-03	Shaft Key or Kit C	1
5	133041-1	Rotor	1
6	904006-33	Ring, Retaining, 1/16" Diameter, Carbon Steel or Kit B	4
7	133027-1	Spacer Washer or Kit B	1
8	906006-53	Shaft Seal or Kit B	1
9	904006-54	Screw, Socket Head, 3/8" - 16 x 1"	3
11	133026-1	Washer, Slinger	1
12	133521-01	Spares, Motor, 3/4 HP, 115-/230-Volt	1
13	13312401	Cover, Nozzle	1
14	13312301	Switch Lever	1
15	904006-57	Washer, Spacer	2
16	133042-1	Vane or Kit C	8
17	904006-49	Screw, Hex Head, 3/8"-16 x 3-3/4"	1
18	133033-501	Base End Plate	1
19	901001-90	O-Ring, -226, 1.984 ID X .139, NBR, R/C or Kit A	1
21	121013-503	Check Valve Assy	1
22	901002-89	O-Ring, -133, 1.799 ID X .103, NBR, R/C or Kit A	1
23	904001-37	Screw, Hex Head, 5/16"-18 x 3/4"	8
24	133059-06	Poppet Plug	1
25	901002-50	O-Ring, -916, 1.171 ID X .116, NBR, R/C or Kit A	1
26	133064-1	Poppet Spring	1

Individual Parts

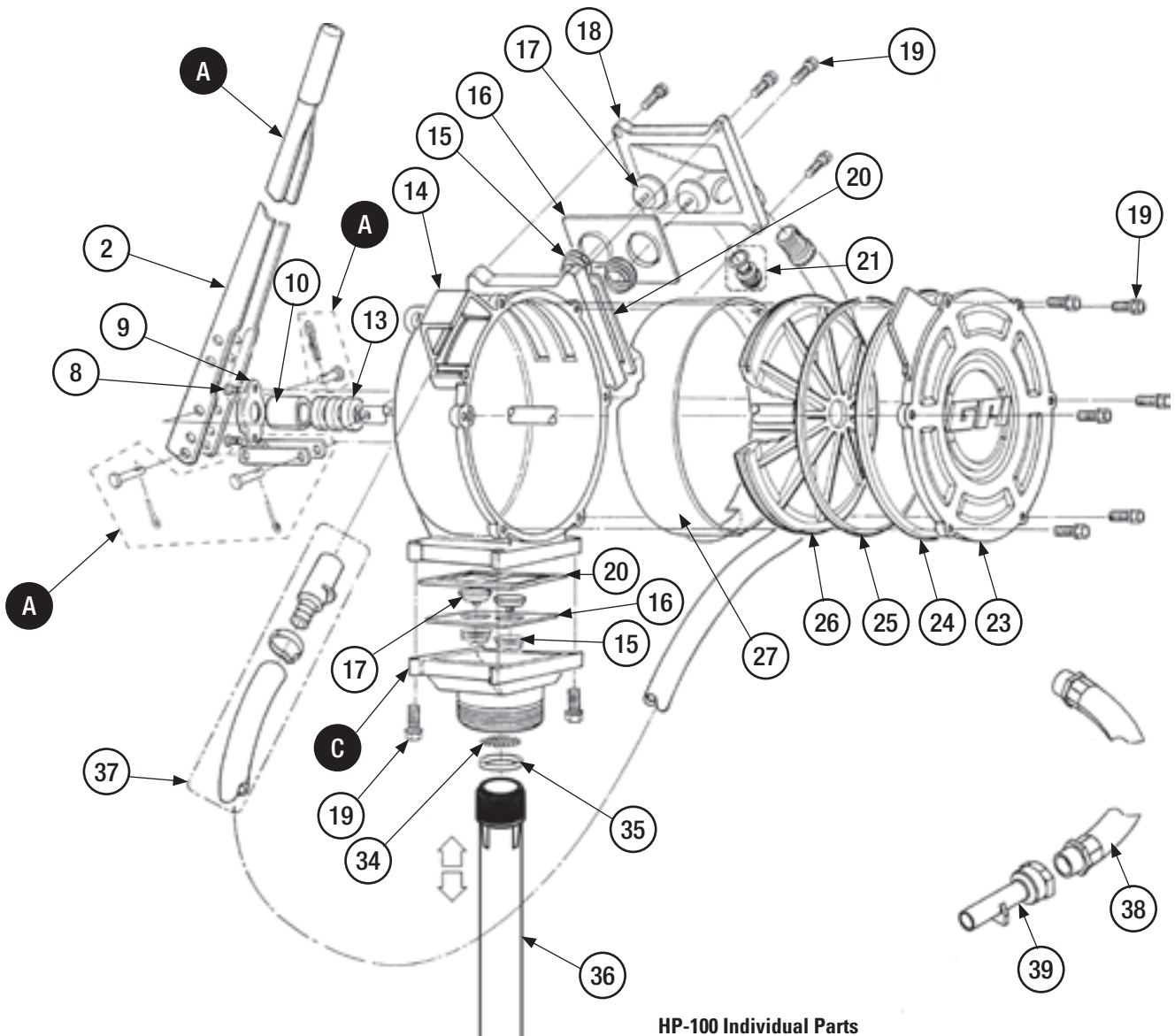
Item No.	Part No.	Description	Req'd.
28	133031-06	Base	1
29	133505-04	Poppet Assy Kit	1
30	906008-570	Nozzle, Automatic Diesel, 1" NPT	1
	133242-1	Nozzle Hook Only, Diesel	1
	904001-88	Set Screw Only, Nozzle Hook	2
31	121036-1	Hose Assy, 1" x 12"	1
32	906001-10	Nozzle, Manual Leaded, 1" NPT	1
33	133419-02	Switch Locking Lever	1
35	121013-501	Check Valve Strainer	1

Kits and Accessories

	Part No.	Description
A	133504-1	SEAL KIT (includes O-Rings #3, #19, #22 & #25)
B	133503-1	SHAFT SEAL KIT (includes Shaft Seal #8, Retaining Ring #6, & Spacer Washer #7)
	133534-01	SWITCH KIT, M-3130/M-3295
C	133502-1	VANE KIT (includes O-Ring #3, 8 Vanes #16 & Shaft Key #4)
	133052-02	Spares, Base Assy
D	110540-03	KIT, Nozzle Hook, DIESEL

For more information refer to Owner's Manual 921929-03

ILLUSTRATED PARTS DRAWING: HP-100



HP-100 Individual Parts

Item No.	Part No.	Description	Req'd.
2	114014-502	Handle	1
8	904004-30	Screw, Hex Head, 10-32 x 5/8 in.	2
9	114017-2	Retainer	1
10	114016-1	Bearing	1
13	114034-501	Packing Seal Kit, 3 ea. or Kit D	1
14	114042-1	Body	1
15	114009-1	Spring	4
16	114007-1	Plate	2
17	114008-1	Valve	4
18	114043-4	Outlet Cover, 3/4 in.	1
19	904002-23	Screw/Washer, SEMS, 1/4"-20 x 3/4"	14
20	114006-1	Seal, Molded or Kit D	2
21	123504-1	Anti-Siphon Vent Kit	1
23	114041-1	Piston Cover	1
24	901001-51	Cover Seal or Kit D	1
25	906005-58	Piston Ring or Kit D	1
26	114021-02	Piston Assy	1
27	114011-1	Liner or Kit D	1

HP-100 Individual Parts

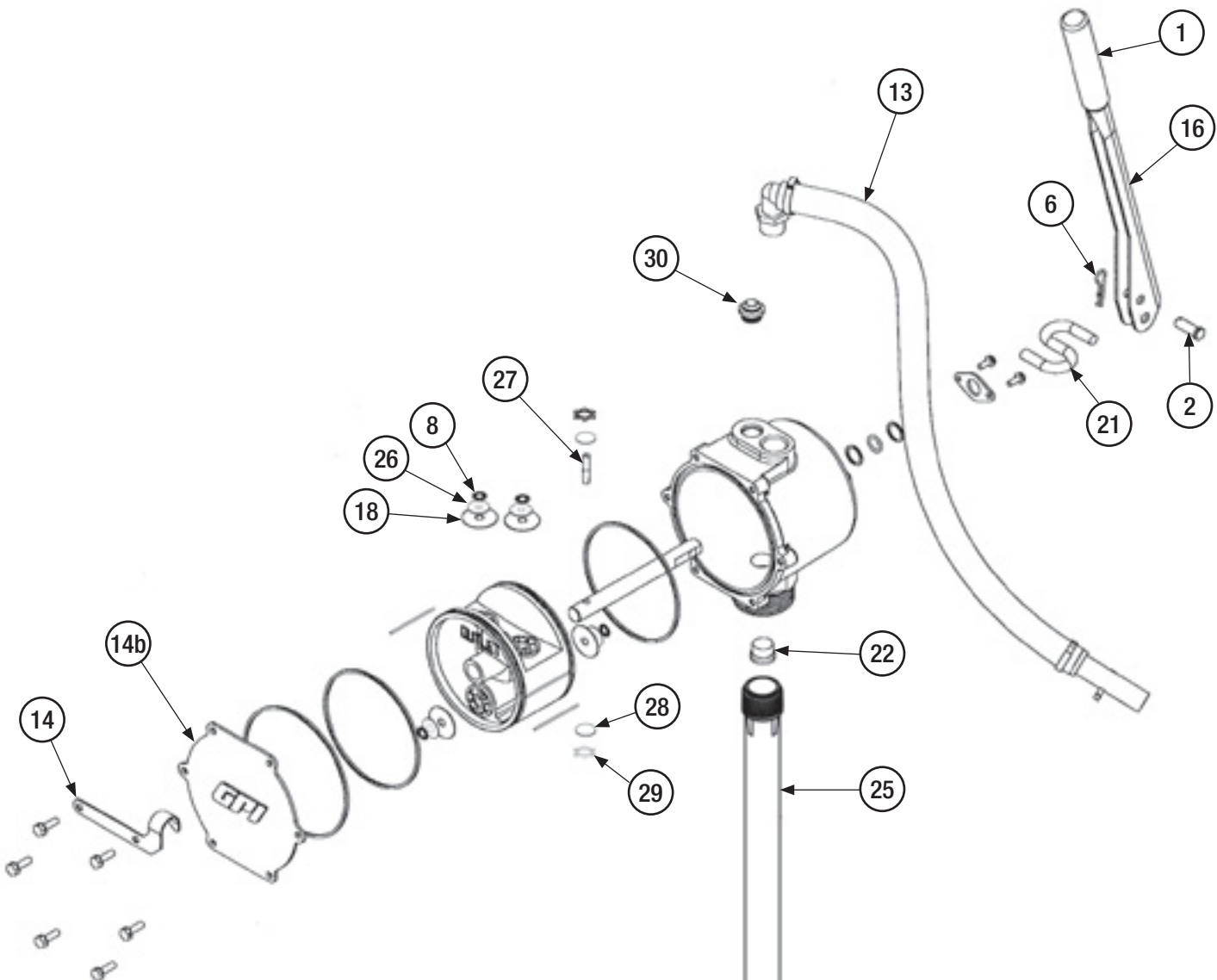
Item No.	Part No.	Description	Req'd.
32	114509-1	Inlet Cover Kit? or Kit? C	1
34	114037-1	Inlet Screen or Kit A , B or C	1
35	114038-1	Spacer or Kit A , B or C	1
36	110241-01	Adjustable Suction Pipe	1
37	114504-3	Hose & Nozzle Assy (NUL Version)	1
38	114045-1	Hose & Nozzle Assy (UL Version)	1
39	114047-501	Nozzle, Metal (UL Version)	1

Kits and Accessories

	Part No.	Description
A	114510-3	HARDWARE KIT (includes Handle Grip, Links, Pins, Inlet Screen #34 & Spacer #35)
B	114509-1	INLET COVER KIT (includes Inlet Cover, Spacer #35 & Screen #34)
C	114509-2	OPTIONAL INLET COVER KIT - Vented (includes Vented Inlet Cover, Spacer #35, Screen #34 & Plug)
D	114505-2	OVERHAUL KIT (includes Piston Ring #25, Seal #24, 3 Packing Seals #13, 2 Molded Seals #20 & Liner #27)

For more information refer to Owner's Manual 921407-10

ILLUSTRATED PARTS DRAWING: HP-90



HP-90 Individual Parts

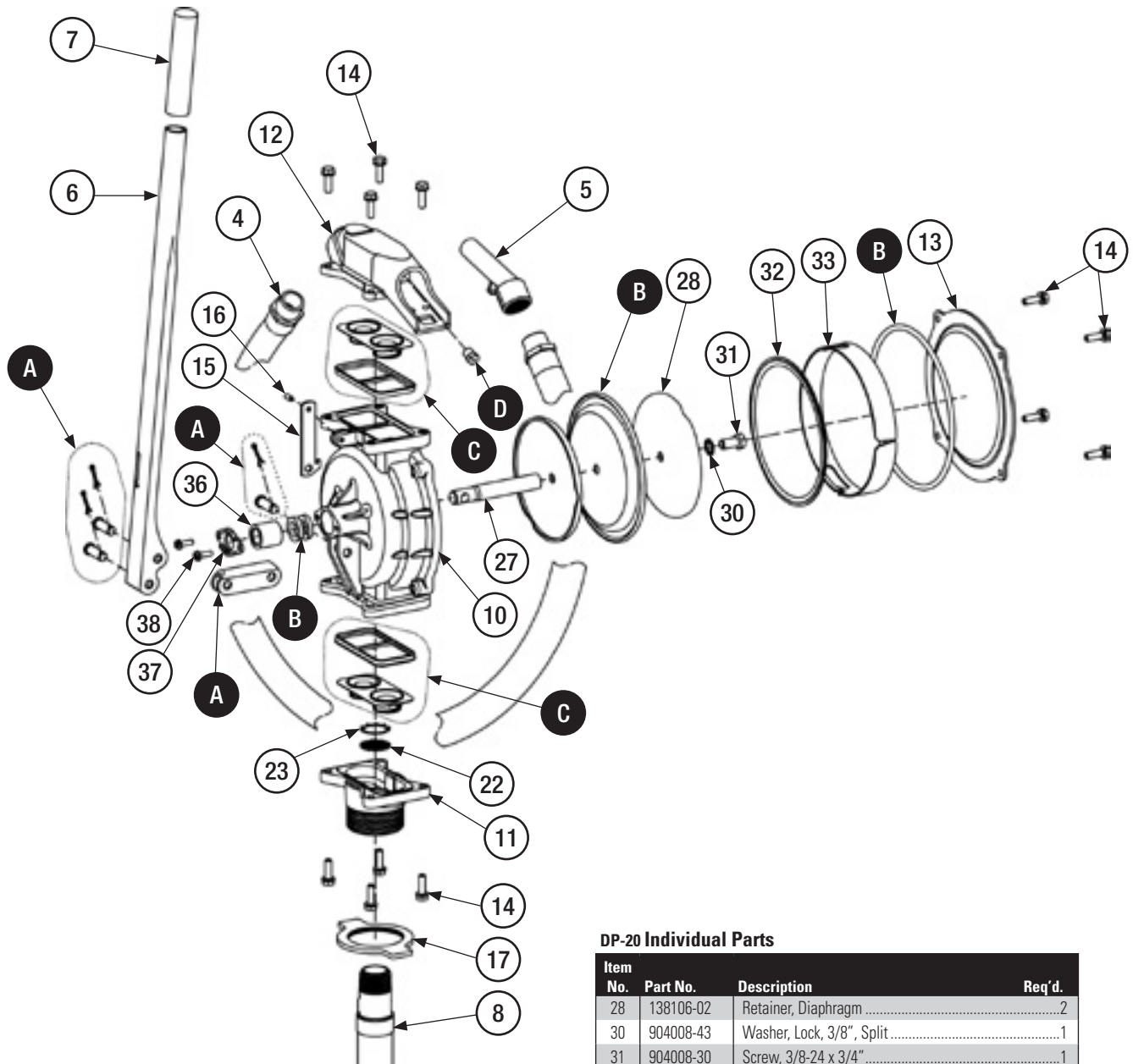
Item No.	Part No.	Description	Req'd.
1	906001-43	Handle Grip or Kit B	1
2	904006-32	Pin, Clevis, 3/8 in. or Kit A , B or C	1
6	904002-58	Pin, Hitch Clip or Kit A , B or C	1
8	904001-55	Ring, Retaining or Kit D	4
13	131034-1	Fuel Hose Assy, 3/4 in.....	1
14	131033-1	Bracket, Nozzle.....	1
14B	131032-1	Coverplate.....	1
16	131046-503	Handle or Kit A	1
18	131039-02	Valve, Flapper or Kit D	4
21	131022-501	Link or Kit A , B or C	1
22	123038-1	Screen, Inlet.....	1
25	110241-01	Suction Pipe.....	1
26	904006-69	Washer, Flat or Kit D	4
27	904006-31	Pin, Groove.....	1
28	131040-1	Seal or Kit D	2
29	904003-20	Ring, Retaining, Internal or Kit D	2
30	123504-1	ANTI-SIPHON VENT KIT.....	2

Kits and Accessories

Part No.	Description
A 131501-03	HANDLE KIT (includes Clevis Pin #2, Hitch Clip Pin #6, Link #21 & Pump Handle #16)
B 131500-02	HARDWARE KIT (includes Handle Grip #1, Clevis Pin #2, Hitch Clip Pin #6 & Link #21)
C 131501-04	LINKAGE KIT (includes Clevis Pin #2, Hitch Clip Pin #6 & Link #21)
D 131502-01	OVERHAUL KIT (includes 2 Seals #28, 4 Flapper Valves #18, 2 Internal Retaining Rings #29, 4 Washers #26, 4 Retaining Rings #8, 2 O-Rings [901003-50], Seal [901002-78], 2 PTFE Backup Rings[901002-58] O-Ring [901002-47] & 2 PTFE Inserts [131042-01])
131501-02	SHAFT SEAL KIT (includes PTFE Inserts, O-Rings [901002-47 & 901003-50], Front Seal [901002-78] & PTFE Backup Rings)
904007-53	Locknut for Bung

For more information refer to Owner's Manual 921925-06

ILLUSTRATED PARTS DRAWING: DP-20



DP-20 Individual Parts

Item No.	Part No.	Description	Req'd.
4	114045-1	Hose (UL Model).....	1
	110187-09	Hose (Non-UL Model).....	1
5	138123-01	Nozzle, Unleaded	1
6	138109-01	Handle.....	1
7	906001-43	Grip.....	1
8	110241-01	Suction Pipe	1
10	138100-01	Housing	1
11	138101-01	Inlet.....	1
12	138102-01	Outlet.....	1
13	138103-01	Cover.....	1
14	904005-39	Screw, 1/4-20 x 7/8".....	12
15	138111-01	Clasp.....	1
16	904008-32	Pin, Spring	1
17	138112-01	Nut, Lock	1
22	138126-01	Screen, Inlet.....	1
23	138127-01	Ring, Retaining.....	1
27	138113-01	Shaft.....	1

DP-20 Individual Parts

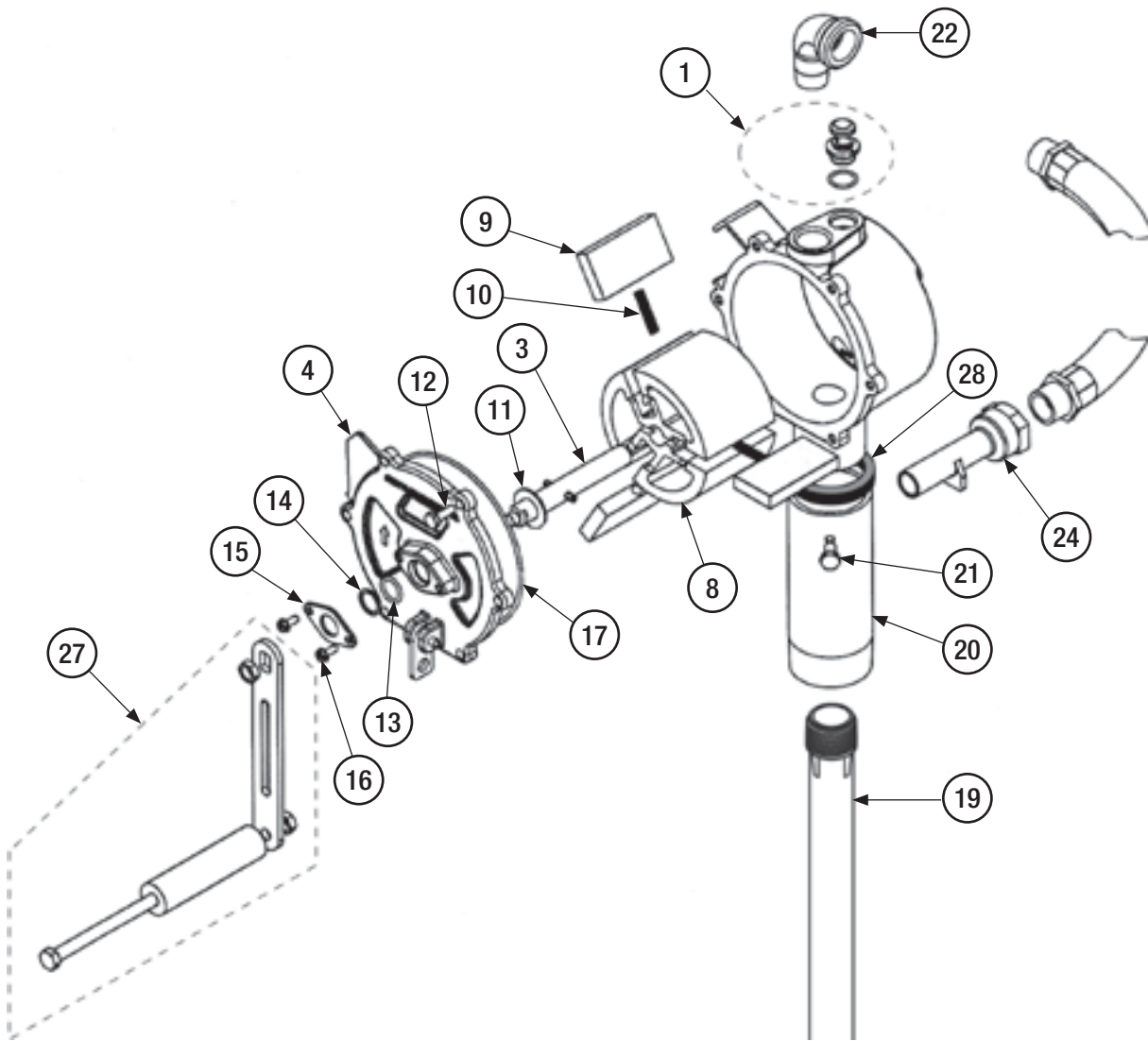
Item No.	Part No.	Description	Req'd.
28	138106-02	Retainer, Diaphragm	2
30	904008-43	Washer, Lock, 3/8", Split.....	1
31	904008-30	Screw, 3/8-24 x 3/4".....	1
32	138105-01	Washer, Diaphragm	1
33	138104-01	Ring, Spacer.....	1
36	114016-1	Bearing.....	1
37	114017-2	Retainer, Bearing.....	1
38	904004-30	Screw, #10-32 x 5/8".....	2

Kits and Accessories

	Part No.	Description
A	138500-01	HARDWARE KIT (includes Link, Clevis Pin & Cotter Pin)
B	138501-01	DIAPHRAGM & SEAL KIT (includes Cover Gasket, Diaphragm & 2 Packing Seals)
C	138502-01	CHECK VALVE & GASKET KIT (includes 4 Spring Valves, 4 Valves, 2 Inlet/Outlet Gaskets & 2 Plate Valves)
D	138503-01	ANTI-SIPHON VALVE KIT (includes Vacuum Breaker Retainer, Check Valve & Vacuum Breaker Body)

For more information refer to Owner's Manual 922086-01

ILLUSTRATED PARTS DRAWING: RP-10



RP-10 Individual Parts

Item No.	Part No.	Description	Req'd.
1	123504-1	Anti-Siphon Vent Kit	1
3	123507-1	Shaft Assy Kit	1
4	123008-1	Coverplate	1
8	123509-1	Rotor with Springs Kit	1
9	123011-1	Vane or Kit B	3
10	123012-1	Spring or Kit B	3
11	904004-71	Washer	1
12	904004-16	Screw, 1/4-20 x 3/4 in.	6
13	901003-63	O-Ring, -114, .612 ID X .103, Nitrile or Kit B or C	1
14	901002-58	Back-up Ring or Kit B or C	1
15	123013-1	Retainer	1
16	904004-60	Screws, Retainer	2
17	901003-64	O-Ring, -160, 5.237 ID X .103, Nitrile or Kit B or C	1
19	110241-01	Suction Pipe Assy	1

RP-10 Individual Parts

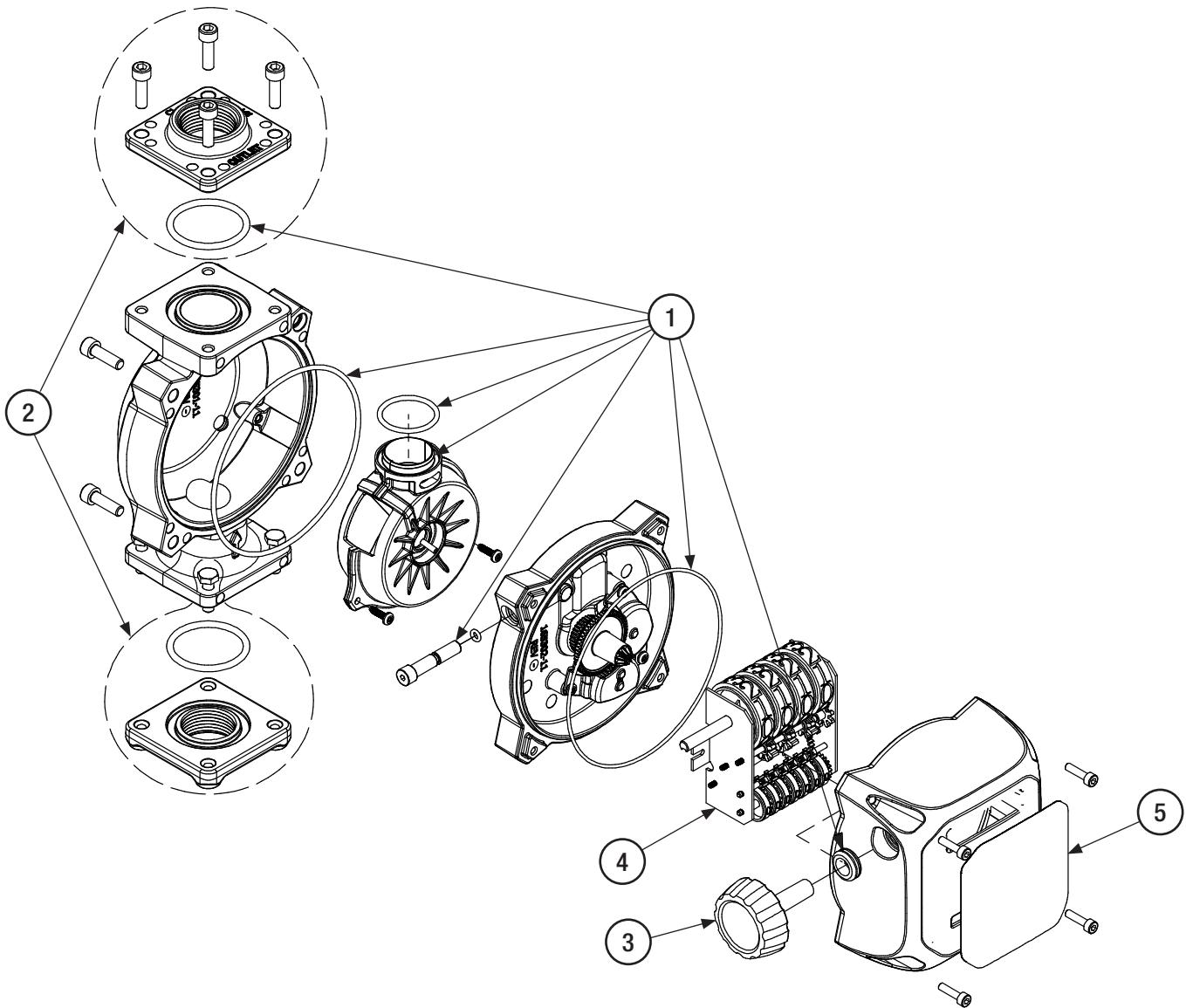
Item No.	Part No.	Description	Req'd.
20	123015-1	Riser	1
21	904004-59	Screw, Hex Head Cap, 5/16-18 x 1/2" or Kit A	2
22	904004-73	Elbow, Street 3/4" or Kit A	1
23	114045-1	Hose Assy	1
24	114047-501	Nozzle, Metal	1
27	123506-1	Crank Assy Kit	1
28	12304001	Seal, RP-10 Riser	1

Kits and Accessories

	Part No.	Description
A	123505-3	HARDWARE KIT (includes Handle, Screw, 3/4" Street Elbow #22, 2 Nuts, 2 Screws #21 & Crank)
B	123503-1	OVERHAUL KIT (includes 3 Vanes #9, 3 Springs #10 & Shaft Seal Kit)
C	123501-1	SHAFT SEAL KIT (includes Seal, O-Ring #13, O-Ring #17 & Back-Up Ring #14)

For more information refer to Owner's Manual 921462-07

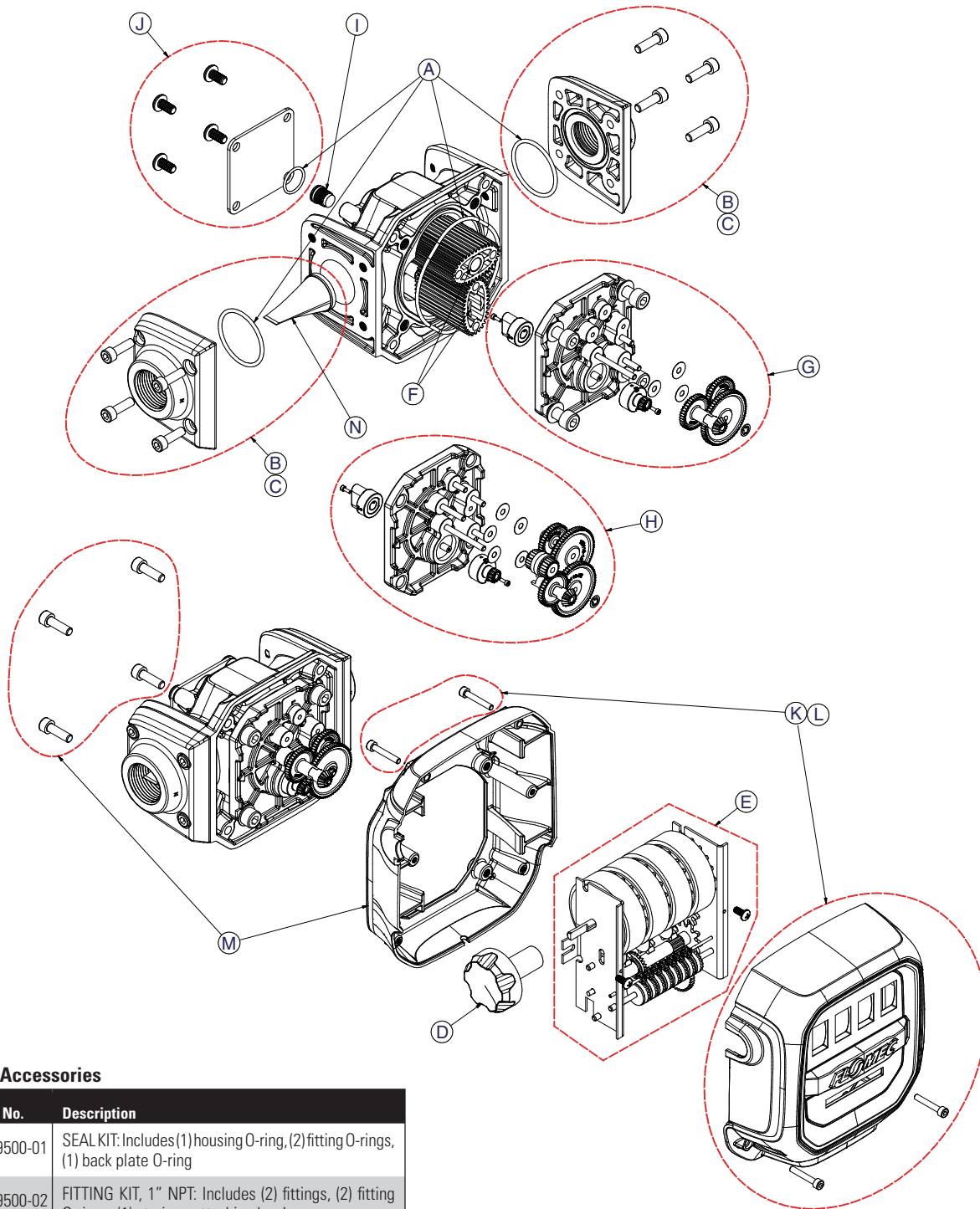
ILLUSTRATED PARTS DRAWING: M30



Ref. No.	Description	Part Number	Qty.
1	M30 Seal Kit	165700-01	
	O-rings	▲	6
	Grommet	▲	1
2	1" NPT Fitting Kit	165700-02	
	Inlet Fitting, NPT	▲	1
	Outlet Fitting, NPT	▲	1
	Inlet/Outlet Port O-rings	▲	2
	SHCS	▲	8
(▲) Available as part of kit only.			

Ref. No.	Description	Part Number	Qty.
3	Knob Kit	165700-04	
4	Counter Assembly Kit (Register)	165700-05	
5	Gallon Decal Kit	165700-06	
5	Litre Decal Kit	165700-07	

ILLUSTRATED PARTS DRAWING: QM-240



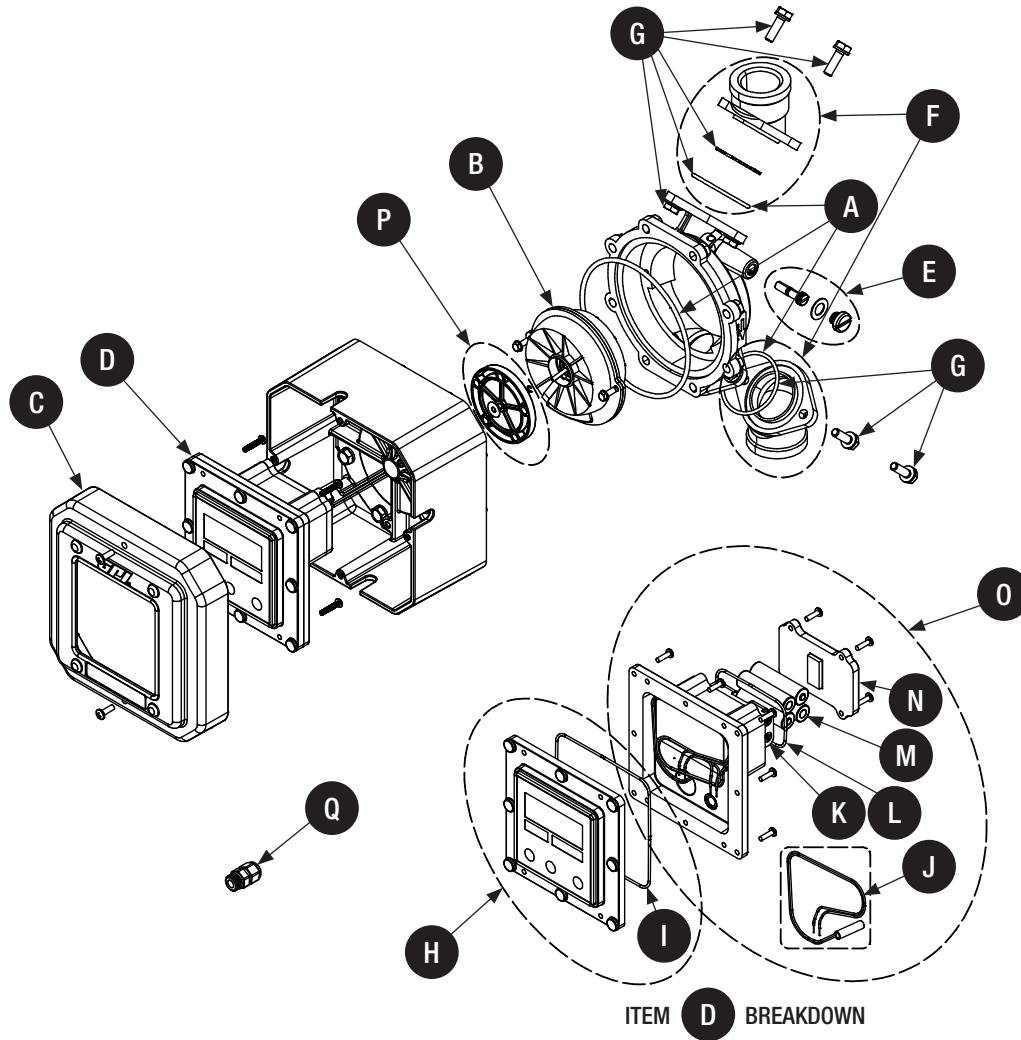
Kits and Accessories

Part No.	Description
A 139500-01	SEAL KIT: Includes (1) housing O-ring, (2) fitting O-rings, (1) back plate O-ring
B 139500-02	FITTING KIT, 1" NPT: Includes (2) fittings, (2) fitting O-rings, (1) strainer, attaching hardware
C 139500-03	FITTING KIT, 1" BSPP: Includes (2) fittings, (2) fitting O-rings, (1) strainer, attaching hardware
D 139500-04	KNOB ASSEMBLY KIT, Includes (1) knob assembly
E 139500-05	COUNTER ASSEMBLY KIT: Includes (1) counter assembly, attaching hardware
F 139500-06	ROTOR KIT: Includes (1) rotor set
G 139500-07	COVERPLATE ASSEMBLY KIT, GAL: Includes (1) assembled coverplate (gears, mag drives), housing seal, attaching hardware
H 139500-08	COVERPLATE ASSEMBLY KIT, LITRE: Includes (1) assembled coverplate (gears, mag drives), housing seal, attaching hardware

I 139500-09	CALIBRATION SCREW KIT: Includes (1) calibration screw, (1) O-ring
J 139500-10	BACK PLATE KIT: Includes (1) back plate, (1) O-ring, attaching hardware
K 139500-11	TOP COVER KIT, GALLON: Includes (1) top cover w/ gallon decals, attaching hardware
L 139500-12	TOP COVER KIT, LITRE: Includes (1) top cover w/ litre decals, attaching hardware
M 139500-13	MIDDLE COVER KIT: Includes (1) middle cover, attaching hardware
N 139500-14	STRAINER KIT: Includes (1) strainer
- 139500-15	UNLEADED FUEL KIT, QM240: Not shown

For more information refer to Owner's Manual 921528-01

ILLUSTRATED PARTS DRAWING DR 5-30



Kits and Accessories

Item No.	Part No.	Description
A	126530-09	Seal Kit (includes 1 Housing O-Ring, 2 Fitting O-Rings)
B	126530-08	Nutator Assembly Kit (includes hardware)
C	126530-18	Computer Cover Kit (includes hardware)
D	126530-19	Computer Display Kit (includes hardware & batteries)
E	126530-67	Calibration Screw Kit (includes 1 Cal-Screw, 1 Washer & 1 O-Ring)
F	126530-12	Fitting Kit for 3/4-inch NPT (includes 2 Fittings, 2 Fitting O-Rings, 1 Strainer, 4 Cap Screws & Nuts)
F	126530-13	Fitting Kit for 3/4-inch BSPP (includes 2 Fittings, 2 Fitting O-Rings, 1 Strainer, 4 Cap Screws & Nuts)
F	126530-14	Fitting Kit for 1-inch NPT (includes 2 Fittings, 2 Fitting O-Rings, 1 Strainer, 4 Cap Screws & Nuts)
F	126530-15	Fitting Kit for 1-inch BSPP (includes 2 Fittings, 2 Fitting O-Rings, 1 Strainer, 4 Cap Screws & Nuts)
F	126530-16	Fitting Kit for 1-1/2-inch NPT (includes 2 Fittings, 2 Fitting O-Rings, 1 Strainer, 4 Cap Screws & Nuts)
F	126530-17	Fitting Kit for 1-1/2-inch BSPP (includes 2 Fittings, 2 Fitting O-Rings, 1 Strainer, 4 Cap Screws & Nuts)
G	126530-10	Hardware Kit – (includes 2 Fitting O-Rings, 1 Strainer, 4 Cap Screws & Nuts, 4 Cap Screws & Nuts)
H	126530-20	Computer Kit – (includes Computer O-Ring)

Kits and Accessories

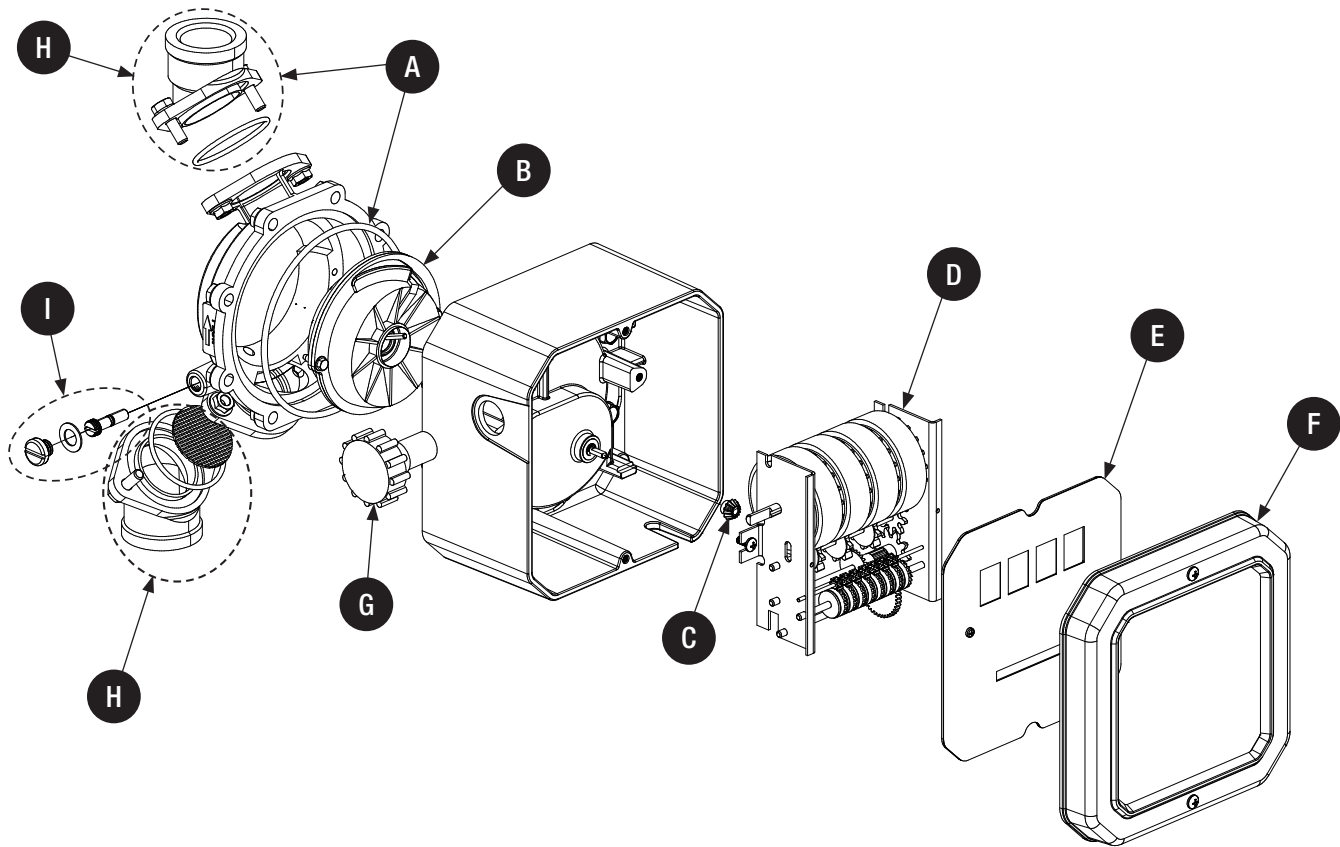
Item No.	Part No.	Description
I	90100407	Computer O-Ring
J	126530-21	Reed Switch Sensor Kit
K	126530-22	Battery Holder Kit
L	901004-09	Battery Compartment O-Ring
M	90200784	Battery – (AA Lithium-4 ea. required)
N	126530-23	Battery Door Kit (includes hardware)
O	126530-24	Computer Display Back Kit (includes hardware, batteries, sensor)
P	126530-25	Drive Key Signal Generator Kit (includes magnets, washer, retainer ring)
Q	126530-26	Strain Relief Kit (includes O-ring)

Items Not Shown

Part No.	Description
125066-1	Cable – 10 ft. (Used w/pulse access feature)
125066-20	Cable – 20 ft. (Used w/pulse access feature)
125066-500	Cable – 100 ft. (Used w/pulse access feature)

For more information refer to Owner's Manual 922092-01

ILLUSTRATED PARTS DRAWING MR 5-30



Kits and Accessories

Item No.	Part No.	Description
A	126530-09	Seal Kit (includes 1 Housing O-Ring & 2 Fitting O-Rings)
B	126530-08	Nutator Assembly Kit (includes Hardware)
C	126530-06	Bevel Gear Kit
D	126530-04	Counter Assembly Kit - Gallon (includes Counter Assembly & Hardware)
D	126530-05	Counter Assembly Kit - Litre (includes Counter Assembly & Hardware)
E	126530-02	Faceplate Kit - Gallon (includes Faceplate, Decal & Hardware)
E	126530-03	Faceplate Kit - Litre (includes Faceplate, Decal & Hardware)
F	126530-01	Bezel Kit (includes Hardware)
G	126530-07	Knob Assembly Kit
H	126530-12	Fitting Kit for 3/4-inch NPT (includes 2 Fittings, 2 Fitting O-Rings, 1 Strainer & Hardware)
H	126530-13	Fitting Kit for 3/4-inch BSPP (includes 2 Fittings, 2 Fitting O-Rings, 1 Strainer & Hardware)
H	126530-14	Fitting Kit for 1-inch NPT (includes 2 Fittings, 2 Fitting O-Rings, 1 Strainer & Hardware)
H	126530-15	Fitting Kit for 1-inch BSPP (includes 2 Fittings, 2 Fitting O-Rings, 1 Strainer and Hardware)
H	126530-16	Fitting Kit for 1-1/2 inch NPT (includes 2 Fittings, 2 Fitting O-Rings, 1 Strainer and Hardware)
H	126530-17	Fitting Kit for 1-1/2 inch BSPP (includes 2 Fittings, 2 Fitting O-Rings, 1 Strainer and Hardware)

Kits and Accessories

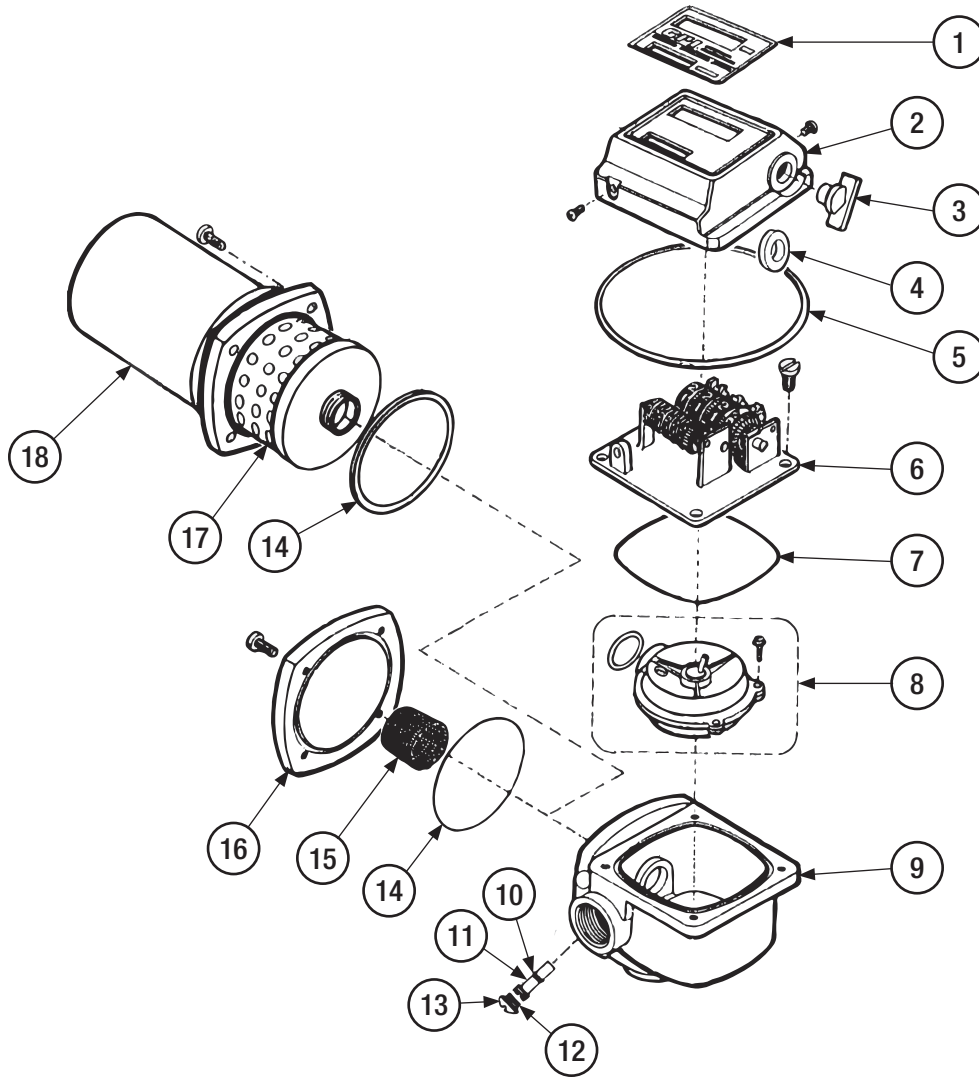
Item No.	Part No.	Description
I	126530-67	Calibration Screw Kit (includes Screw, Washer O-Ring & Cover)
I	126530-10	Fittings Hardware Kit (includes O-Rings, Strainer, Nuts & Screws)

Items Not Shown

Part No.	Description
133140-01	90° Fitting Adapter, 1-inch NPT (Fits FM-530 & MR 5-30)
133140-02	90° Fitting Adapter, 3/4-inch NPT (Fits FM-530 & MR 5-30)

For more information refer to Owner's Manual 92152501

ILLUSTRATED PARTS DRAWING: FM-100, FM-200 & LM-200



FM-100, FM-200 & LM-200 Individual Parts

Item No.	Part No.	Description	Req'd.
1	111116-01	Decal, Quart (LM-200).....	1
	111099-8	Decal, Gallon (FM-200).....	1
	111099-9	Decal, Litre (FM-200).....	1
	111012-8	Decal, Gallon (FM-100).....	1
	111012-9	Decal, Litre (FM-100).....	1
2	111006-1	Counter Cover, Gallon.....	1
	111006-2	Counter Cover, Litre.....	1
3	111028-501	Reset Knob.....	1
4	111107-1	Seal, Knob or Kit A	1
5	111024-1	O-Ring, Counter Cover or Kit A	1
6	111047-3	Counter Assy, Gallon.....	1
	111047-5	Counter Assy, Litre.....	1
7	110026-1	O-Ring, Housing.....	1
8	111509-1	Nutator Kit.....	1
9	111021-3	Housing, 1-inch NPT.....	1
	111021-4	Housing, 1-inch BSPP.....	1
	111021-5	Housing, 3/4-inch NPT.....	1
	111021-7	Housing, 3/4-inch BSPP.....	1
10	111026-1	Seal, Calibration Screw or Kit A	1

FM-100, FM-200 & LM-200 Individual Parts

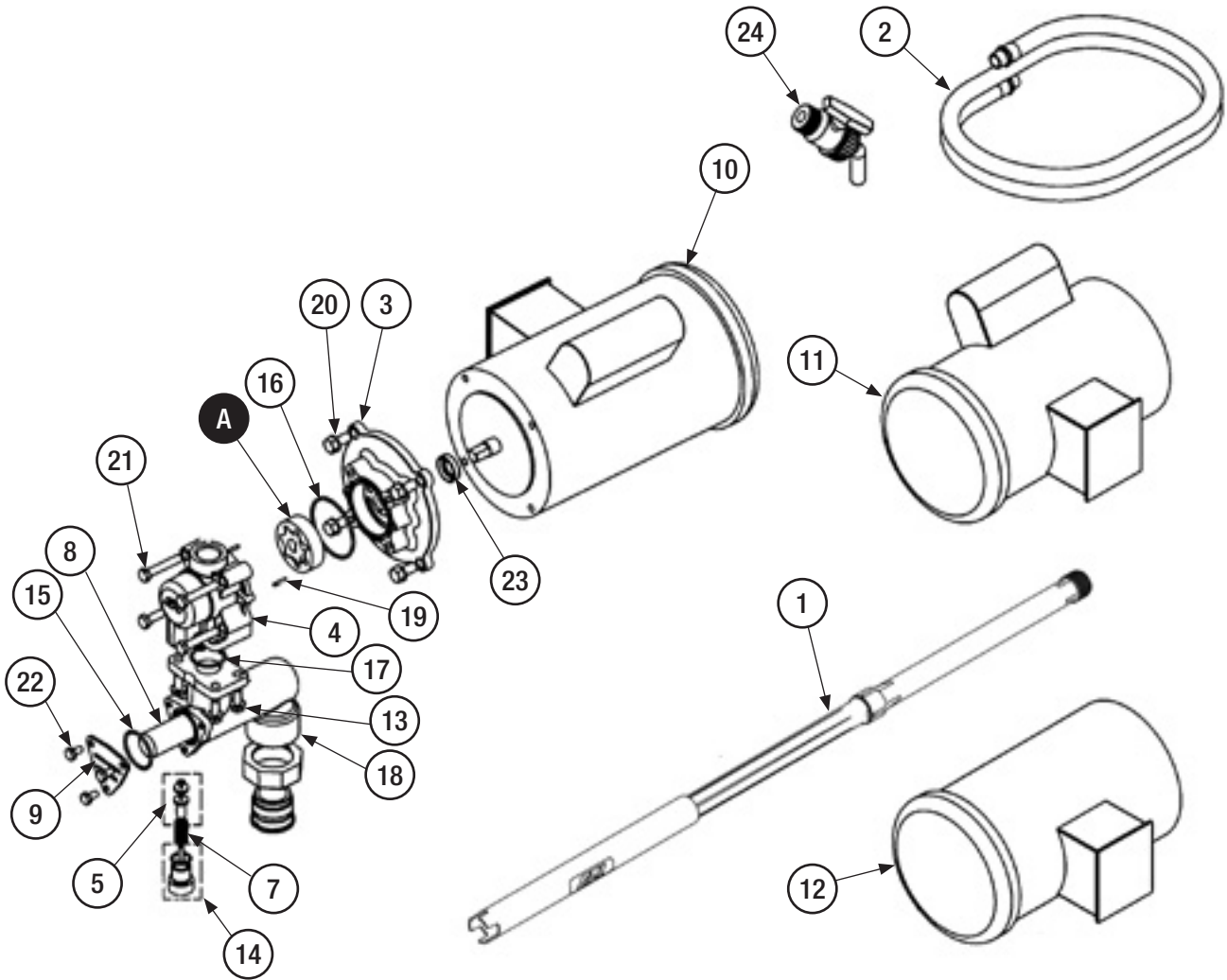
Item No.	Part No.	Description	Req'd.
11	111014-3	Screw, Calibration.....	1
12	904006-16	Washer, Flat.....	1
13	111039-2	Screw, Calibration Cover.....	1
14	901001-77	Seal, Filter Can & Strainer Coverplate or Kit A	1
15	111032-2	Strainer (FM-200).....	1
16	111029-1	Strainer Coverplate (FM-200 & LM-200).....	1
17	111010-501	Filter (FM-100).....	1
18	111020-3	Filter Can (FM-100).....	1

Replacement Kit

Part No.	Description
A 111506-2	FM-100 & FM-200 OVERHAUL KIT (includes 2 Screws, Strainer Cover Seal #14, Knob Seal #4, Calibration Screw Seal #10, Nutator Seal, Counter Cover Seal #5, & Disc Assembly)

For more information refer to Owner's Manuals 920698-06 (FM-100 & FM-200) 920710-01 (LM-200)

ILLUSTRATED PARTS DRAWING: L5016, L5116 AND L5132



Individual Parts

Item No.	Part No.	Description	Req'd.
1	110241-01	Suction Pipe Assy.....	1
2	110187-09	Hose Assy.....	1
3	142001-01	Adapter, Gerotor Housing	1
4	142002-01	Pump Body.....	1
5	142021-01	Poppet Assy.....	1
7	142005-01	Spring, Bypass.....	1
8	142008-01	Screen, Inlet.....	1
9	142009-01	Cover, Base.....	1
10	142014-01	Motor, 115-volt AC, 1/2 HP, 1725 RPM.....	1
11	142015-01	Motor, 115-volt AC, 1 HP, 3450 RPM.....	1
12	142016-01	Motor, 12-volt DC, 1/2 HP, 1800 RPM.....	1
13	142022-01	Inlet Base Assy	1
14	142023-01	Poppet Plug Assy.....	1
15	90100389	O-Ring.....	1

Individual Parts

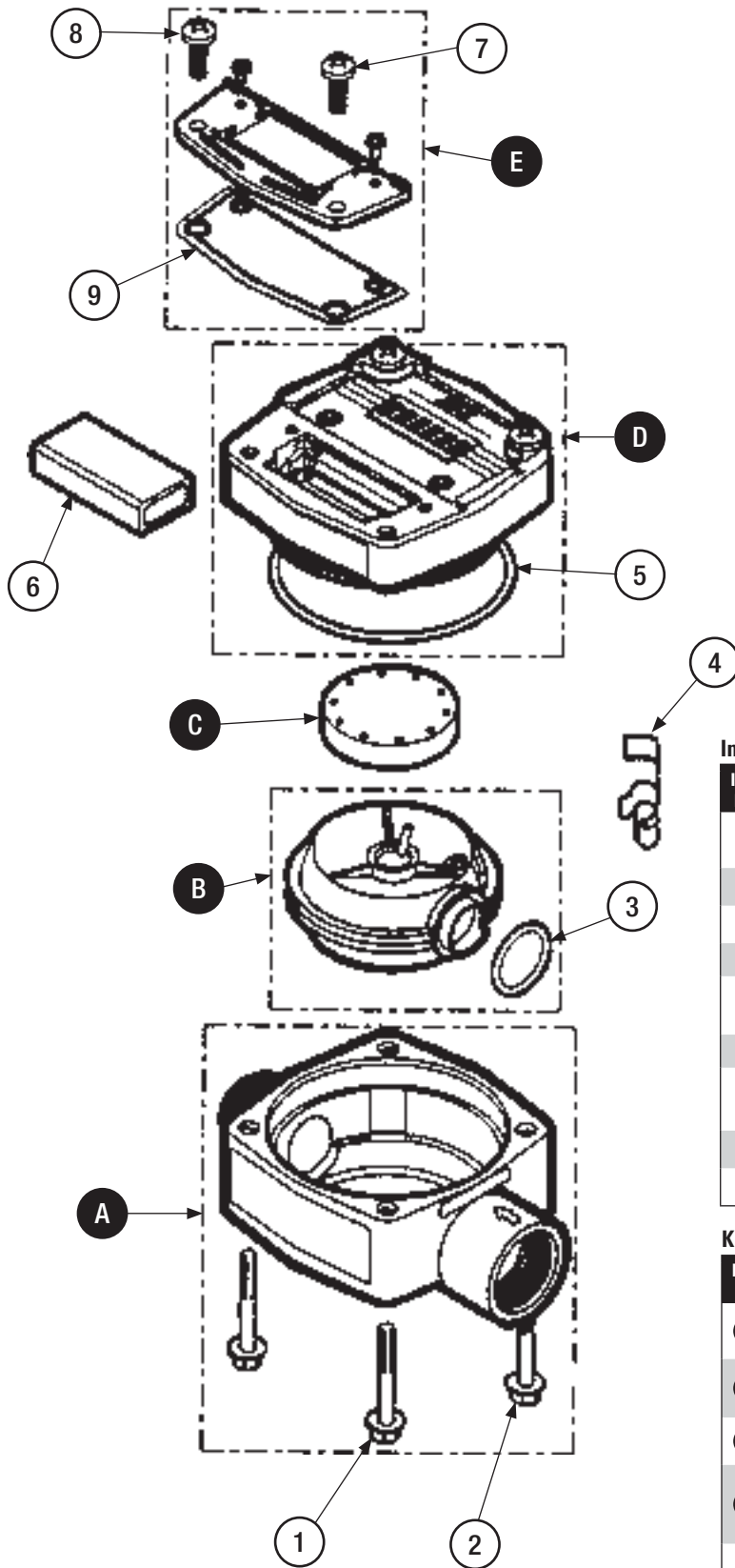
Item No.	Part No.	Description	Req'd.
16	90100387	O-Ring, Nitrile or Kit A	1
17	90100388	O-Ring, Nitrile	1
18	904002-24	Screw/Washer, SEMS, 5/16"-18 x 3/4".....	4
19	904005-59	Pin, Spring	2
20	90400807	Screw, Hex Head, SEMS, 3/8"-16 x 1".....	4
21	90400793	Screw, Hex Head, 5/16"-18 x 1-3/4".....	4
22	90400794	Screw, Hex Head, SEMS, 1/4"-20 x 1/2".....	3
23	90400795	Seal, Radial Lip	1
24	90600658	Valve, Ball, with 45° Spout.....	1

Kits and Accessories

Part No.	Description
133532-02	FUSE KIT, 40 Amp
A 142500-01	GEROTOR KIT (includes O-Ring #16 & Element)
133093-1	Power Cord Assy, 10 x 3 AWG x 15 ft

For more information refer to Owner's Manual 922029-01

ILLUSTRATED PARTS DRAWING: FM-300H AND LM-300



Individual Parts

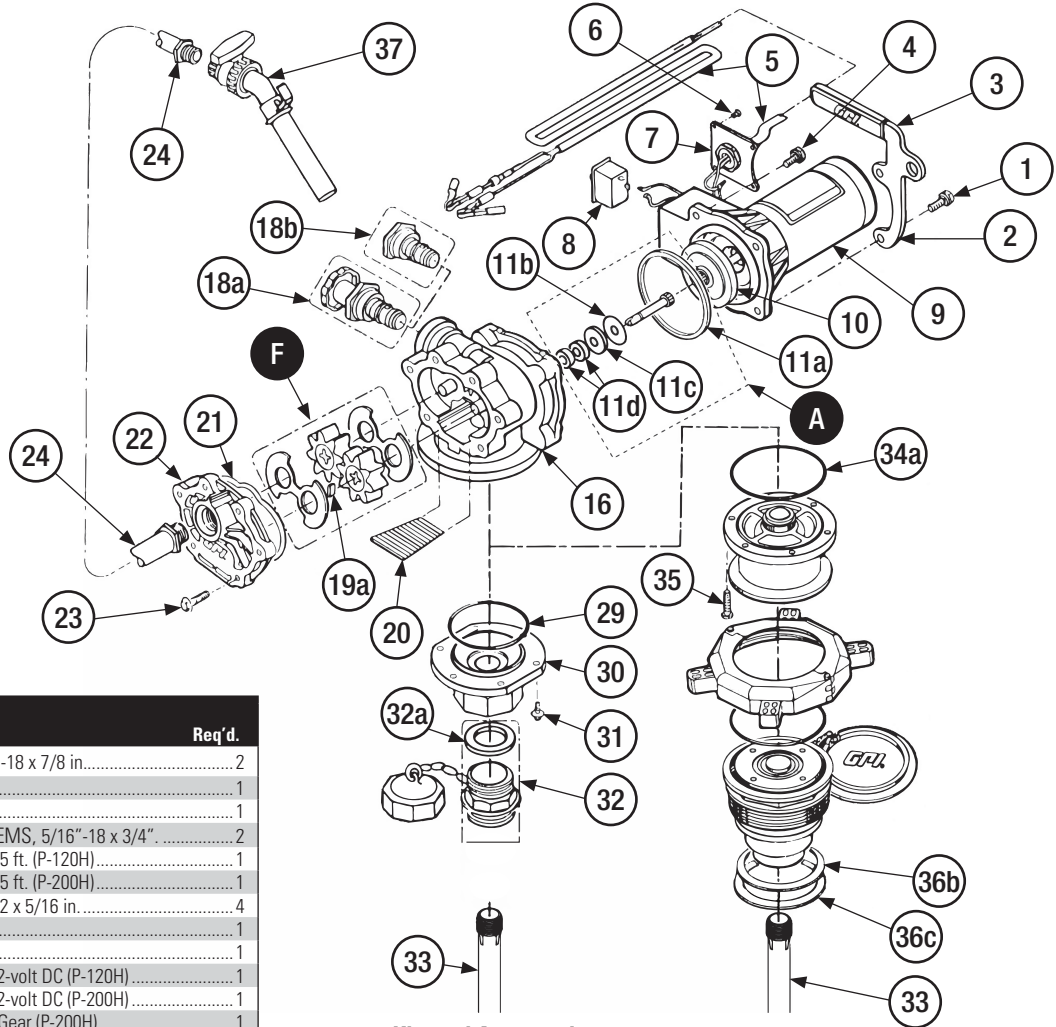
Item No.	Part No.	Description	Req'd.
1	904004-19	Screw, Head Hex Cap, 1/4-20 x 1-3/4 in. or Kit A	4
2	904005-29	Washer, 1/4 in or Kit A	4
3	111045-4	O-Ring, Nutator or Kit B	1
4	120013-1	Clip, SS 304.....	4
5	901001-78	O-Ring, -153, 3.487 ID X .103, FKM, R/C or Kit D	1
6	902004-20	Battery, Transistor, 9-Volt.....	1
7	904005-28	Screw, Self-Sealing, 1/4-20 x 5/8 in or Kit D or E	2
8	904005-27	Screw, SEMS, 6-32 x 3/8 in.or Kit D or E	2
9	120028-1	Gasket, Viton GF or Kit D or E	1

Kits and Accessories

Item No.	Part No.	Description	Req'd.
A	120505-1	HOUSING KIT (includes 4 Washers #2, 4 Screws #1, Mechanical Housing & Decals)	
B	120503-1	NUTATOR KIT (includes Nutator Housing, Nutator O-Ring #3 and Nutator Disc)	
C	120504-1	SIGNAL GENERATOR KIT	
D	120502-11	COVERPLATE ASSY KIT, GALLON (includes Battery Cover & Gasket Kit, O-Ring [901002-82], O-Ring #5, Coverplate [120006-2] & Computer Assy)	
D	120502-18	COVERPLATE ASSY KIT, LITRE (includes Battery Cover & Gasket Kit, O-Ring [901002-82], O-Ring #5, Coverplate [120006-2] & Computer Assy)	
D	120502-28	COVERPLATE ASSY KIT, QUART (includes Battery Cover & Gasket Kit, O-Ring [901002-82], O-Ring #5, Coverplate [120006-2] & Computer Assy)	
E	120501-3	BATTERY COVER & GASKET KIT (includes 2 Screws #7, 2 Screws #8, 2 Screws [904005-26], Gasket #9 & Battery Cover)	

For more information refer to Owner's Manual 920679-06

ILLUSTRATED PARTS DRAWING: HERBICIDE SERIES P-120H & P-200H 12-VOLT



Individual Parts

Item No.	Part No.	Description	Req'd.
1	904003-92	Screw, SEMS, 5/16-18 x 7/8 in.....	2
2	118021-1	Handle.....	1
3	118023-1	Grip, Handle.....	1
4	904002-24	Screw/Washer, SEMS, 5/16"-18 x 3/4".....	2
5	115016-1	Power Cord Assy, 15 ft. (P-120H).....	1
	110215-1	Power Cord Assy, 15 ft. (P-200H).....	1
6	904001-99	Screw, Pan HD, 8-32 x 5/16 in.....	4
7	119077-2	Coverplate, Switch.....	1
8	902002-91	Switch, Rocker.....	1
9	119002-17	Motor Assembly, 12-volt DC (P-120H).....	1
	119002-18	Motor Assembly, 12-volt DC (P-200H).....	1
10	906001-67	Module, Planetary Gear (P-200H).....	1
11A	901001-91	Seal, Motor Adapter or Kit A , C , D or E	1
11B	904003-70	Washer, Motor Shaft or Kit A	1
11C	110078-8	Seal, Motor Shaft or Kit A , C , D or E	1
11D	118020-1	Bearing or Kit A	2
16	118006-1	Housing, Pump.....	1
18-A	118507-1	Bypass Poppet Assy Kit (P-120) 4-in.....	1
	118508-1	Bypass Poppet Assy Kit (P-200H) 4-in.....	1
18-B	118508-2	Bypass Poppet Assy Kit (P-120H/P-200H) 2-in.....	1
19-A	110913-2	Key.....	1
20	110063-2	Inlet Strainer.....	1
21	118017-1	O-Ring, Coverplate, -154, 3.737 ID X .103, FKM or Kit C , D or E	1
22	118007-1	Coverplate.....	1
23	904003-49	Screw, SEMS, 1/4-20 x 1 in.....	6
24	110189-2	Hose, EPDM, 1 in. x 12 ft. (optional) or Kit B	1
29	901002-38	O-Ring, Inlet, -237, 3.359 ID X .139, FKM.....	1
30	115018-5	Lower Cover Assy, 2-in.....	1
31	904003-91	Screw, SEMS, 1/4-20 x 3/4 in.....	2
32	115090-5	Bung Adapter Assy.....	1
32a	114029-2	Gasket, EPDM.....	1
32a	115085-1	Gasket, Teflon®.....	1
32a	115084-1	Gasket, EPDM.....	1
33	110241-01	Adjustable Suction Pipe or Kit B	1
34-A	901002-38	O-Ring, Inlet, -237, 3.359 ID X .139, FKM.....	1
35	904003-91	Screw, SEMS, 1/4-20 x 3/4 in.....	6
36-B	115547-1	Gasket, Teflon®.....	1
36-C	115509-2	Gasket, EPDM.....	1
37	110107-2	Nozzle, Discharge, Ball Valve, 1" NPT (optional) or Kit B	1

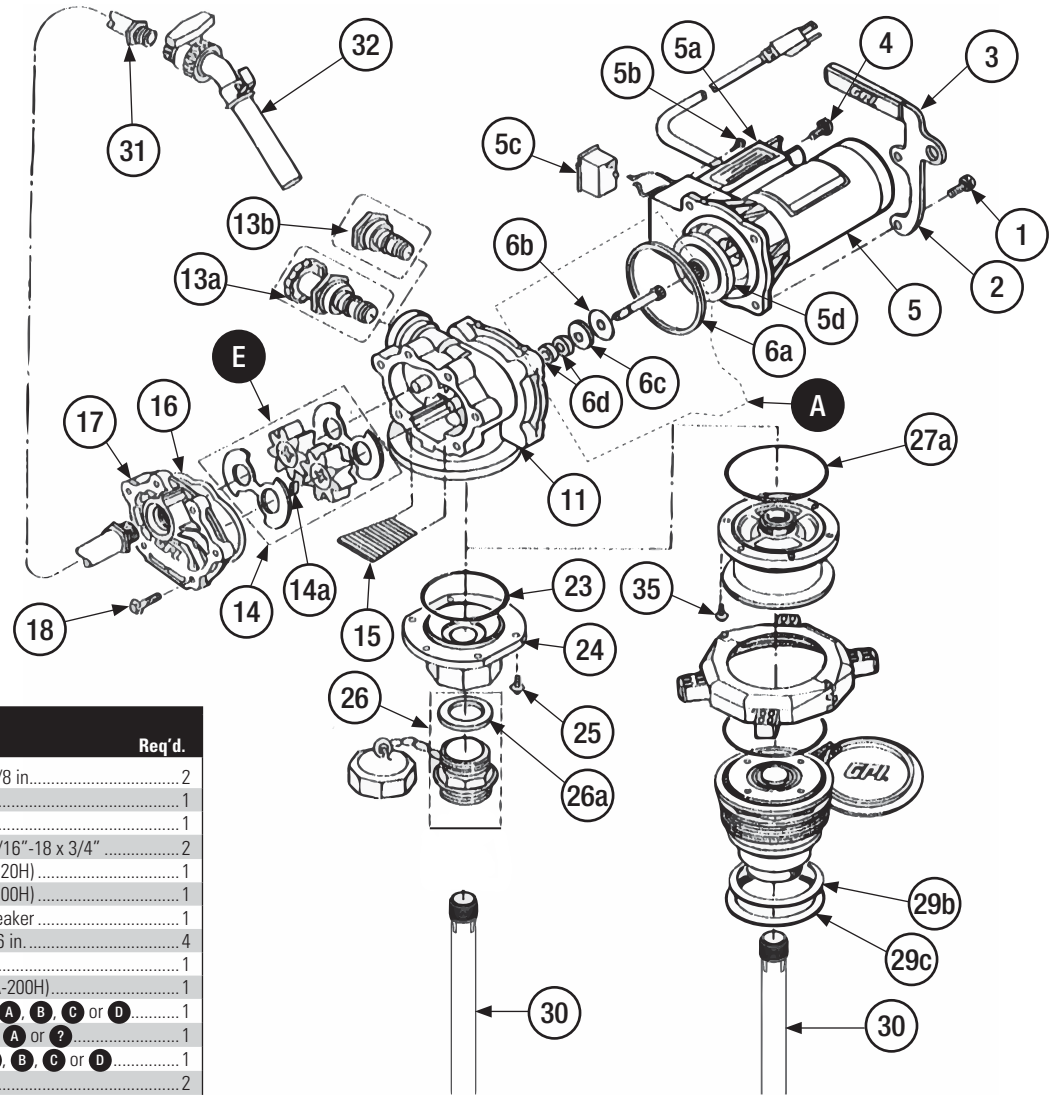
Kits and Accessories

Item	Part No.	Description
	110527-1	BATTERY CLAMP KIT (includes Battery Clamp and Insulator Sleeves (Red & Black))
A	118505-1	DRIVE SHAFT KIT (includes 2 Bearings #11D, Motor Shaft Seal #11C, Motor Shaft Washer #11B, Drive Shaft Assembly & Motor Adapter Seal #11A)
B	111502-2	HERBICIDE HOSE & NOZZLE KIT (includes Hose #24, Nozzle #37 & Adjustable Suction Pipe #33)
C	118503-1	OVERHAUL KIT (P-120H) (includes Coverplate O-Ring #21, Motor Shaft Seal #11C, Motor Adapter Seal #11A, Inlet O-Ring, Camplug O-Ring, Bypass Poppet O-Ring, Plunger O-Ring, Key & 2 Gears)
D	118504-1	OVERHAUL KIT (P-200H) (includes Coverplate O-Ring #21, Motor Shaft Seal #11C, Motor Adapter Seal #11A, Inlet O-Ring, Camplug O-Ring, Seal, Key, 2 Wear Plates & 2 Gears)
E	118506-1	SEAL KIT (includes Coverplate O-Ring #21, Motor Shaft Seal #11C, Motor Adapter Seal #11A, Inlet O-Ring, Camplug O-Ring, Poppet O-Ring & Plunger O-Ring)
F	118501-1	GEAR KIT (P-120H) (includes 2 Gears & Key)
	118502-1	GEAR KIT (P-200H) (includes 2 Gears & Key)
	118509-3	2-in. Inlet Fitting to Convert 4-in. Pump to 2-in.
	119052-1	Armature Assy (P-120H)
	119052-2	Armature Assy (P-200H)
	110525-02	Brush Holder Assy
	118016-1	P-120 Shaft Adapter

NOTE: Bung, hose, suction pipe, and nozzle are common accessories.

For more information refer to Owner's Manual 921406-7

ILLUSTRATED PARTS DRAWING: HERBICIDE SERIES PA-120H & PA-200H 115-VOLT



Individual Parts

Item No.	Part No.	Description	Req'd.
1	904003-92	Screw, SEMS, 5/16-18 x 7/8 in.....	2
2	118021-1	Handle	1
3	118023-1	Grip, Handle	1
4	904002-24	Screw/Washer, SEMS, 5/16"-18 x 3/4"	2
5	119006-P1	Motor Assy, 115-Volt (PA-120H)	1
	119006-2	Motor Assy, 115-Volt (PA-200H)	1
5A	119107-1	Cover Assy with Circuit Breaker	1
5B	904001-99	Screw, Pan HD, 8-32 x 5/16 in	4
5C	902002-91	Switch, Rocker	1
5D	906001-67	Planetary Gear Module (PA-200H).....	1
6A	901001-91	Motor Adapter Seal or Kit A , B , C or D	1
6B	904003-70	Motor Shaft Washer or Kit A or B	1
6C	110078-8	Motor Shaft Seal or Kit A , B , C or D	1
6D	118020-1	Bearing or A or B	2
13A	118508-1	Bypass Poppet Assy Kit, 4 in.....	1
13B	118508-2	Bypass Poppet Assy Kit, 2 in.....	1
14	118501-1	Gear Kit (PA-120H)	1
	118502-1	Gear Kit (PA-200H)	1
14A	110913-2	Key Kit	1
15	110063-2	Inlet Strainer	1
16	118017-501	O-Ring, Coverplate, -154, 3.737 ID X .103, FKM or Kit A , C or D	1
17	118007-1	Coverplate	1
18	904003-49	Screw, SEMS, 1/4-20 x 1 in.	6
23	901002-38	O-Ring, Inlet, -237, 3.359 ID X .139, FKM.....	1
24	115018-5	Lower Cover Assy, 2-in. Union Ring.....	1
25	904003-91	Screw, SEMS, 1/4-20 x 3/4 in.....	6
26	115090-5	Bung Adapter Assy, 2-in. Union Ring.....	1
26A	114029-2	Gasket, EPDM	1
26C	115085-1	Gasket, Teflon®	1
26D	115084-1	Gasket, EPDM	1
27A	901002-38	O-Ring, Inlet, -237, 3.359 ID X .139, FKM.....	1
28	904003-91	Screw, SEMS, 1/4-20 x 3/4 in.....	6
29B	115547-1	Gasket, Teflon®	1
29C	115509-2	Gasket, EPDM	1
30	110241-01	Adjustable Suction Pipe.....	1
31	110189-2	Hose, EPDM, 1 in. x 12 ft.	1
32	110107-2	Nozzle, Discharge.....	1

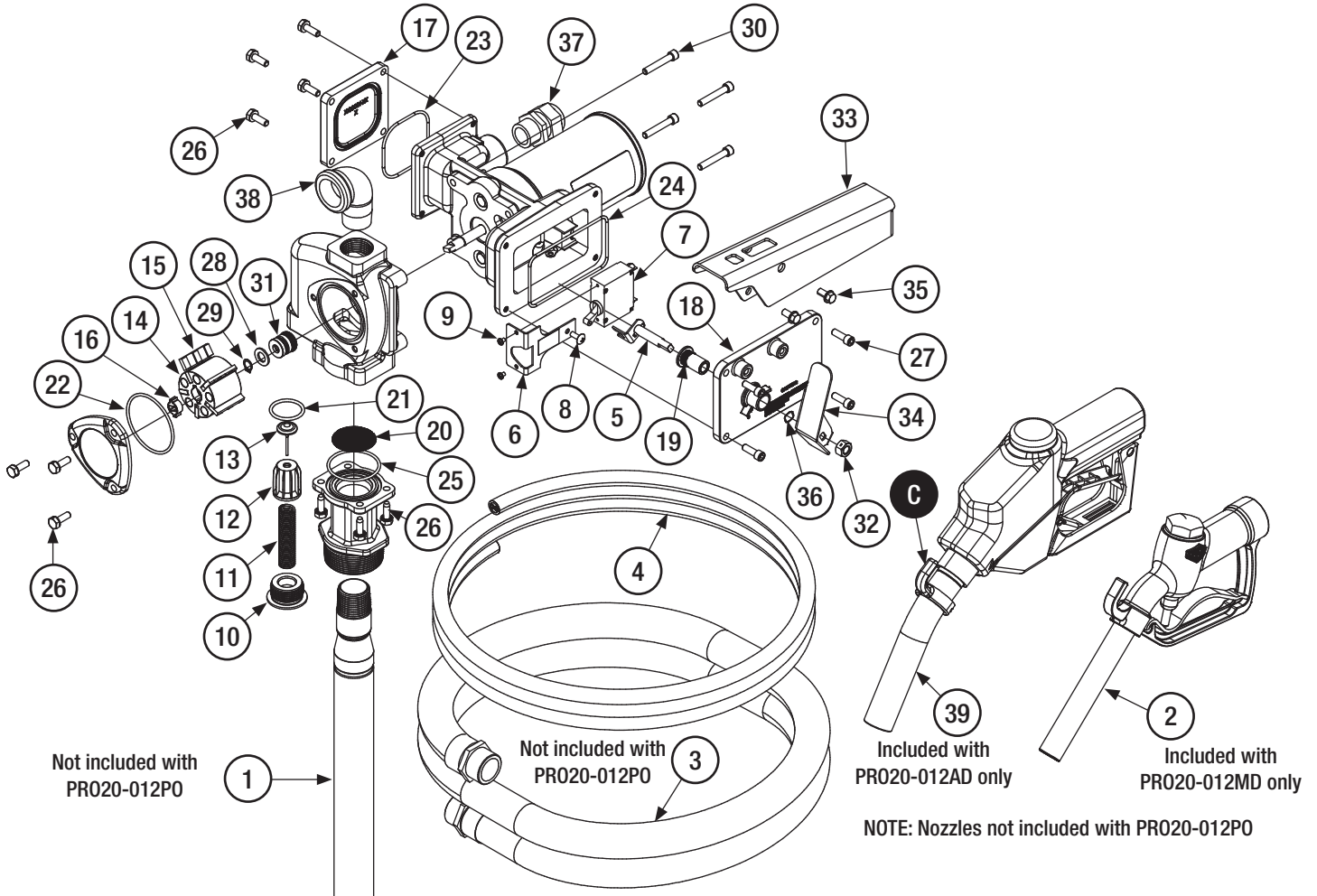
Kits and Accessories

Part No.	Description
A 118505-1	DRIVE SHAFT KIT (includes 2 Bearings #6D, Motor Shaft Seal #6C, Motor Shaft Washer #6B, Drive Shaft Assembly & Motor Adapter Seal #6A)
B 118503-1	OVERHAUL KIT (P-120H) (includes Coverplate O-Ring #16, Motor Shaft Seal #6C, Motor Adapter Seal #6A, Inlet O-Ring, Camplug O-Ring, Bypass Poppet O-Ring, Plunger O-Ring, Key & 2 Gears)
C 118504-1	OVERHAUL KIT (P-200H) (includes Coverplate O-Ring #16, Motor Shaft Seal #6C, Motor Adapter Seal #6A, Inlet O-Ring, Camplug O-Ring, Seal, Key, 2 Wear Plates & 2 Gears)
D 118506-1	SEAL KIT (includes Coverplate O-Ring #16, Motor Shaft Seal #6C, Motor Adapter Seal #6A, Inlet O-Ring, Camplug O-Ring, Poppet O-Ring & Plunger O-Ring)
E 118501-1	GEAR KIT (PA-120H) (includes 2 Gears & Key)
118502-1	GEAR KIT (PA-200H) (includes 2 Gears & Key)
111502-2	HERBICIDE HOSE & NOZZLE KIT (includes Hose #31, Nozzle #32 & Adjustable Suction Pipe #30)
118509-3	2-in. Inlet Fitting to Convert 4-in. Pump to 2-in.
110525-02	Brush Holder Assy
118016-1	P-120 Shaft Adapter

NOTE: Bung, hose, suction pipe, and nozzle are common accessories.

For more information refer to Owner's Manual 921492-2

ILLUSTRATED PARTS DRAWING: PRO20-012



Individual Parts

Item No.	Part No.	Description	Req'd.
1	110244-02	Adjustable Suction Pipe.....	1
2	906020-22	Nozzle, Manual Diesel, 1" NPT.....	1
3	110188-501	Hose, Fuel, 1" NPT x 1" x 18'.....	1
4	501010-01	Power Cord, 12GA, 18'.....	1
5	133086-501	Switch Actuator Assembly.....	1
6	144125-01	Bracket, Switch.....	1
7	902006-555	Switch, Circuit Breaker for 12 VDC.....	1
8	904002-25	Screw, Machine, Truss Head, #10-32 x 1/2".....	1
9	904005-56	Screw, Pan Head, Stainless Steel, #6-32 x 3/16".....	2
10	144102-01	Cap, Bypass Valve.....	1
11	144103-02	Spring, Bypass Valve.....	1
12	144104-01	Poppet, Bypass Valve.....	1
13	144105-01	Orifice Seal, Bypass Valve.....	1
14	144110-01	Rotor, 5-Vane or Kit A	1
15	144111-01	Vane, Carbon Sliding, 1.50" or Kit A	5
16	144112-01	Drive Key or Kit A	1
17	144124-01	Cover, Terminal Box.....	1
18	144126-01	Cover, Switch Box.....	1
19	144127-01	Bushing, Switch.....	1
20	144140-01	Screen, Inlet.....	1
21	901002-50	O-Ring, -.916, 1.171 ID X .116, NBR.....	1
22	901004-10	O-Ring, -.143, 2.425 ID X .103, NBR or Kit A	1
23	901004-12	O-Ring, -.148, 2.737 ID X .103, NBR.....	1
24	901004-13	O-Ring, -.156, 4.237 ID X .103, NBR.....	1
25	901004-26	O-Ring, -.135, 1.925 ID X .103, NBR.....	1
26	904002-23	Screw/Washer Assy, SEMS, 1/4"-20 x 3/4".....	11
27	904007-15	Screw, Socket Head Cap, Hex, 1/4"-20 x 3/16".....	4

Individual Parts

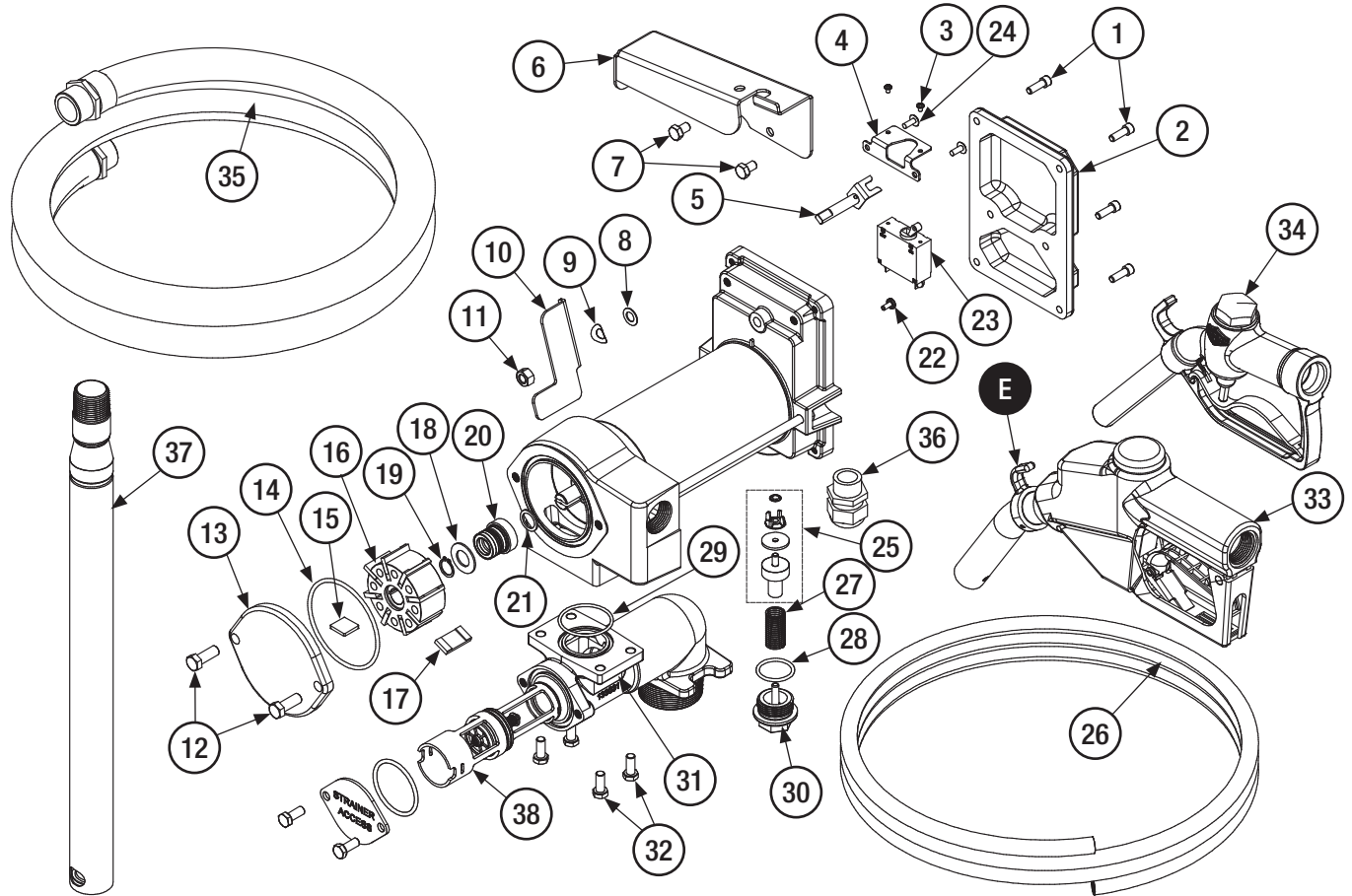
Item No.	Part No.	Description	Req'd.
28	904008-53	Washer, .416, .750 x .063, Aluminum or Kit B	1
29	904008-54	Ring, Retaining, 10mm or Kit B	1
30	904008-57	Screw, HSHC, 1/4-20 X 1/2".....	4
31	501500-04	Seal, Shaft, 10mm, NBR or Kit B	1
32	144129-01	Lever, Switch.....	1
33	144132-01	Cover, Closed Nozzle.....	1
34	904006-62	Nut, Lock, Hex, Center Type, 3/8-16.....	1
35	904006-86	Screw, Tapping, Hex Head, 1/4-20 x 1/2".....	2
36	904008-52	Spring, Wave Overlap.....	1
37	902005-91	Strain Relief.....	1
38	904004-43	Elbow, Street, 1" NPT.....	1
39	906008-570	Nozzle, Automatic Diesel, 1" NPT, UL.....	1

Kits and Accessories

	Part No.	Description
A	501500-03	VANE KIT (includes 7 Vanes #14, Drive Key #16, Carbon Sliding Vane #15 & O-Ring #22)
B	501500-04	SHAFT SEAL KIT (includes Retaining Ring #29, Shaft Seal #31, Spacer Washer #28)
C	110540-03	KIT, Nozzle Hook, DIESEL

For more information refer to Owner's Manual 922105-01C

ILLUSTRATED PARTS DRAWING: PRO25-012 & PRO25-024



Individual Parts

Item No.	Part No.	Description	Req'd.
1	904007-15	Screw, Socket Head Cap, Hex, 1/4"-20 x 3/16" ...	6
2	133076-501	Cover, Conduit Box	1
3	904005-56	Screw, Pan Head, Stainless Steel, #6-32 x 3/16" ...	2
4	133078-1	Bracket, Switch Mounting	1
5	133086-501	Switch Actuator Assembly	1
6	13381101	Cover, Nozzle	1
7	904004-59	Screw, Hex Head Cap, 5/16"-18 x 1/2"	2
8	904006-16	Washer, Flat	1
9	904006-63	Washer, Spring	1
10	133081-1	Lever, Switch	1
11	904006-62	Nut, Lock, Hex, Center Type, 3/8"-16	1
12	904006-38	Screw, Hex Head, 3/8"-16 x 1"	2
13	133032-501	Coverplate	1
14	901003-15	O-Ring, -.237, 3.359 ID X .139, NBR, R/C or Kit A or D	1
15	121010-02	Key, Motor Shaft or Kit A	1
16	133022-501	Rotor, 8-Vane	1
17	133020-1	Vane, Carbon or Kit A	8
18	133027-1	Washer, Spacer or Kit B or C	1
19	904006-33	Ring, Retaining, 1/16" Diameter, Carbon Steel or Kit B or C	1
20	133501-1	Seal, Shaft or Kit B	1
21	133026-1	Washer, Slinger or Kit B or C	1
22	904006-70	Screw, Ground, Binding Head, #10-32 x 3/8"	1
23	902006-555	Switch, Circuit Breaker for 12 VDC	1
23	902006-60	Switch/Motor Protector for 24 VDC	1
24	904002-25	Screw, Machine, Truss Head, #10-32 x 1/2"	2
25	133505-01	Poppet Assembly Kit	1
26	501009-501	Cord, 10/2, 500W, 18 ft.	1
27	133182-01	Spring, Poppet	1
28	901002-50	O-Ring, -.916, 1.171 ID X .116, NBR, R/C or D	1
29	901002-89	O-Ring, -.133, 1.799 ID X .103, NBR, R/C or D	1

Individual Parts

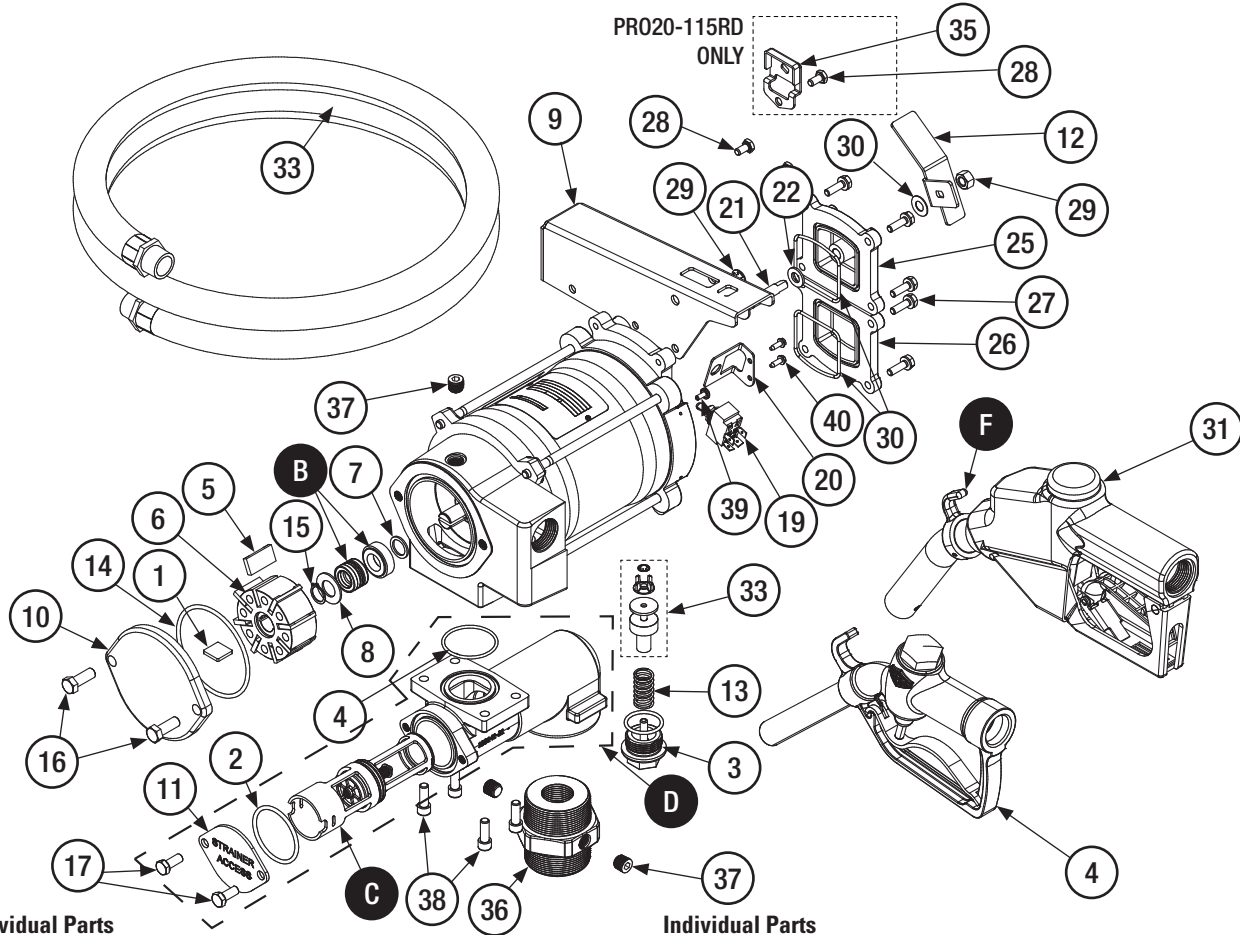
Item No.	Part No.	Description	Req'd.
30	133059-05	By-pass Plug	1
31	133052-501	Base Assembly	1
32	904004-37	Screw, Hex Head, 5/16-18 x 1"	4
33	906008-570	Nozzle, Automatic Diesel, 1" NPT, UL	1
34	906001-10	Nozzle, Manual Leaded, 1" NPT, UL	1
35	110188-502	Hose Assy - Fuel, 1" NPT x 1" x 18 ft.	1
36	902005-91	Strain Relief Sealing Grip	1
37	110243-01	Suction Pipe, Steel	1
38	121013-503	Check Valve Assembly Kit	1

Kits and Accessories

	Part No.	Description
A	133501-1	VANE KIT (includes 8 Vanes #17, Key #15 and O-Ring #14)
B	133503-1	SHAFT SEAL KIT (includes Shaft Seal #20, Spacer Washer #18, Slinger Washer #21 and Retaining Ring #19)
C	133503-05	SHAFT SEAL KIT, Extreme Temperature Series (includes Mating Ring Shaft Seal [906006-93], Primary Ring Shaft Seal [906006-92], Compression Spring [906003-45], Retaining Ring #19, Shaft Seal Washer [904001-39], O-Ring [901004-30], O-Ring [901003-63], Spacer Washer #18 & Slinger Washer #21)
D	133504-1	SEAL KIT (includes all O-Rings: #14, #29, #28 & O-Ring [901001-90])
	133509-02	BRUSH KIT (16-bar)
	906001-4	Pressure Vent Cap (3 psi)
	133532-02	FUSE KIT, 40-Amp (12V model)
	144133-01	Cord Assembly, 10/2 x 10 ft.
	902006-555	Switch / Motor Protector for 12 VDC Motor Kit
E	110540-03	KIT, Nozzle Hook, DIESEL

For more information refer to Owner's Manual 922106-01C

ILLUSTRATED PARTS DRAWING: PRO20-115 / PRO20-115RD / PRO-230



Individual Parts

Item No.	Part No.	Description	Req'd.
1	121010-02	Key, Shaft or Kit E	1
2	901001-90	O-Ring, -226, 1.984 ID X .139, NBR, R/C or Kit A ...	1
3	901002-50	O-Ring, -916, 1.171 ID X .116, NBR, R/C or Kit A ...	1
4	901002-89	O-Ring, -133, 1.799 ID X .103, NBR, R/C or Kit A ...	1
5	133020-1	Vane or Kit E	8
6	133022-501	Rotor.....	1
7	133026-1	Washer, Slinger or Kit B	1
8	133027-1	Washer, Spacer or Kit B	1
9	13312401	Cover, Nozzle.....	1
10	133032-501	Coverplate.....	1
11	133033-502	Plate, Base End.....	1
12	13312201	Lever, Switch.....	1
13	133062-1	Spring, Poppet.....	1
14	901003-15	O-Ring, -237, 3.359 ID X .139, NBR, R/C or Kit A or E	1
15	904006-33	Ring, Retaining, 1/16" Diameter, Carbon Steel or Kit B	1
16	904006-38	Screw, Hex Head, 3/8"-16 x 1".....	2
17	904001-37	Screw, Hex Head, 5/16"-18 x 3/4".....	2
19	503500-02	Switch Kit (Includes Instructions).....	1
20	133848-01	Bracket, Switch.....	1
21	133845-501	Switch Actuator Assembly.....	1
22	904006-63	Washer, Spring.....	1
23	904004-97	Ring, Retaining.....	1
24	110026-6	O-Ring, Switch Coverplate.....	2
25	133802-01	Cover, Switch.....	1
26	133881-01	Cover.....	1
27	904005-39	Screw, Hex Head, 1/4"-20 x 7/8".....	8
28	904003-33	Screw, Hex Head, 1/4"-20 x 1/2".....	2
29	904006-62	Nut, Lock, Hex, Center Type, 3/8"-16.....	1
30	904006-16	Washer, Nylon.....	1
31	906008-570	Nozzle, Auto Diesel, 1" NPT, UL.....	1

Individual Parts

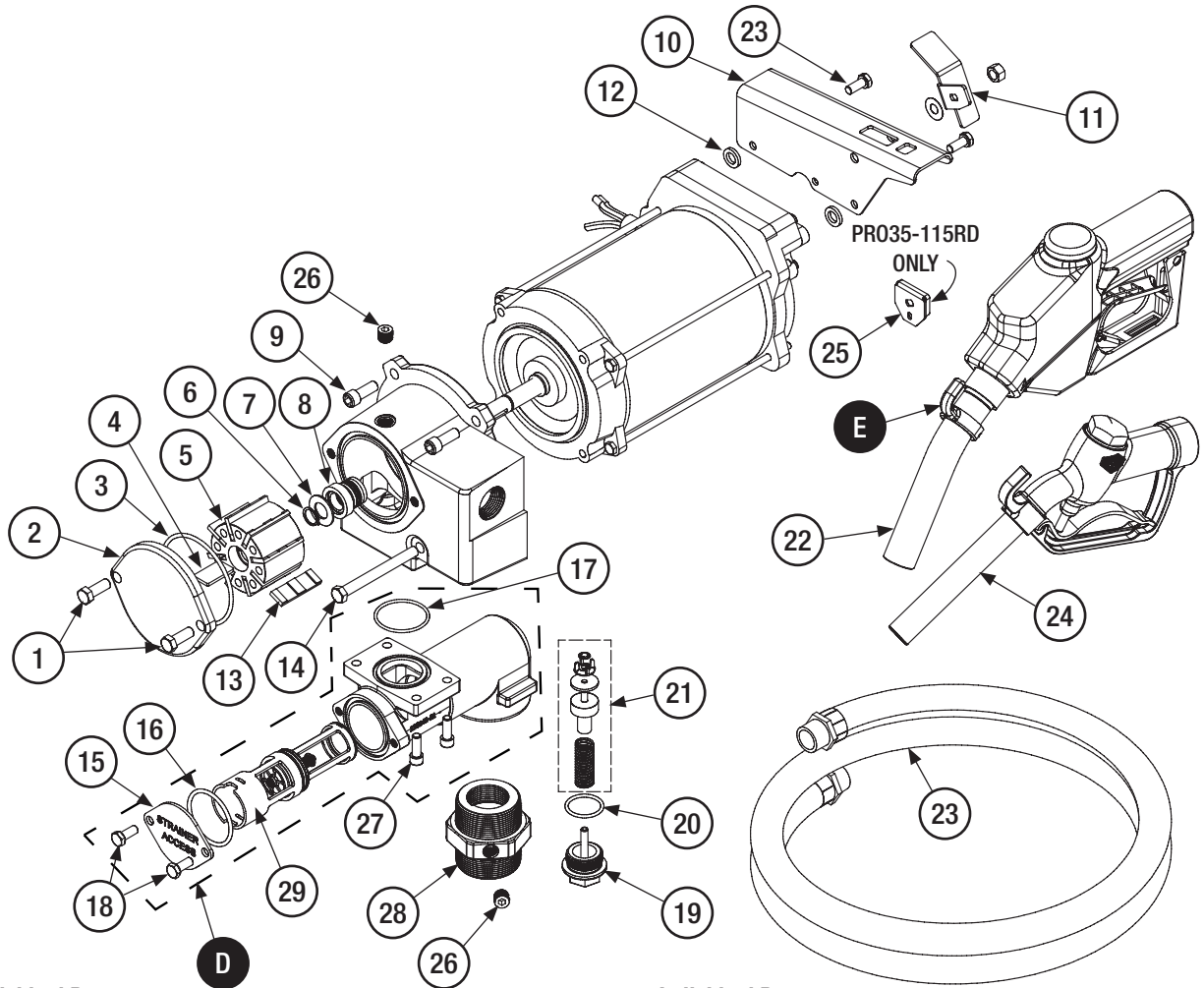
Item No.	Part No.	Description	Req'd.
33	133505-01	Poppet Assembly Kit.....	1
34	110188-502	Hose Assembly.....	1
35	133419-01	Lever, Switch Locking (PRO20-115RD only).....	1
36	133142-01	Adapter, Tank, 2" x 1" NPT.....	1
37	90400812	Plug, Pipe, 1/4" NPT.....	3
38	90400823	Screw, Socket Head, 5/16"-18 x 7/8".....	4
39	904006-70	Screw, Ground, Binding Head, #10-32 x 3/8".....	4
40	904005-40	Screw, Tapping, #8-32 x 1/2".....	2

Kits and Accessories

Part No.	Description
A 133504-1	SEAL KIT (includes O-Rings: #14, #4, #3 & #2)
B 133503-1	SHAFT SEAL KIT (includes Shaft Seal [906006-35], Retaining Ring #15, & Spacer Washer #8)
B 133503-05	SHAFT SEAL KIT, Extreme Temperature Series (includes Mating Ring Shaft Seal [906006-93], Primary Ring Shaft Seal [906006-92], Compression Spring [906003-45], Retaining Ring #15, Shaft Seal Washer [904001-39], O-Ring [901004-30], O-Ring [901003-63], Spacer Washer #8 & Slinger Washer #7)
C 121013-503	CHECK VALVE ASSEMBLY KIT
D 504500-04	Spare Base Assembly 2" inlet
E 133501-1	Vane Kit (includes 8 Vanes #5, O-Ring #14 & Key #1)
504500-03	Vacuum Breaker Kit
F 110540-03	KIT, Nozzle Hook, DIESEL

For more information refer to Owner's Manual 922107-01D

ILLUSTRATED PARTS DRAWING: PRO35-115 & PRO35-115RD



Individual Parts

Item No.	Part No.	Description	Req'd.
1	904006-38	Screw, Hex Head, 3/8"-16 x 1"	2
2	133032-501	Coverplate	1
3	901003-15	O-Ring, -237, 3.359 ID X .139, NBR, R/C or Kit A or C	1
4	121010-03	Key, Shaft or Kit A	1
5	133041-1	Rotor	1
6	904006-33	Ring, Retaining, 1/16" Diameter, Carbon Steel or Kit B	4
7	133027-1	Washer, Spacer or Kit B	1
8	133503-1	Shaft Seal Kit B	1
9	904006-54	Screw, Socket Head, 3/8"-16 x 1"	3
10	13312401	Cover, Nozzle	1
11	13312301	Lever, Switch	1
12	904006-57	Washer, Spacer	2
13	133042-1	Vane or Kit A	8
14	904006-49	Screw, Hex Head, 3/8"-16 x 3-3/4"	1
15	133033-502	Base End Plate	1
16	901001-90	O-Ring, -226, 1.984 ID X .139, NBR, R/C or Kit C	1
17	901002-89	O-Ring, -133, 1.799 ID X .103, NBR, R/C or Kit C	1
18	904001-37	Screw, Hex Head, 5/16-18 x 3/4"	4
19	133059-06	Plug, Poppet	1
20	901002-50	O-Ring, -916, 1.171 ID X .116, NBR, R/C or Kit C	1
21	133505-04	Poppet Assembly Kit	1
22	906008-570	Nozzle, Automatic Nozzle, 1" NPT, UL	1
22a	110540-03	Hook Only, Nozzle, Diesel	1
22b	904001-88	Set Screw, Nozzle Hook	2

Individual Parts

Item No.	Part No.	Description	Req'd.
23	150100-501	Hose Assembly, 1" NPT x 1" x 18 ft	1
24	906020-22	Nozzle, Manual, 1" NPT	1
25	133419-02	Lever, Switch Locking (PRO35-115RD only)	1
26	90400812	Plug, 1/4" NPT	3
27	90400823	Screw, Socket Head, 5/16-18 7/8"	4
28	133142-02	Tank Adapter, 2" NPT x 1/4" NPT	1
29	121013-503	Check Valve Assembly Kit	1

Kits and Accessories

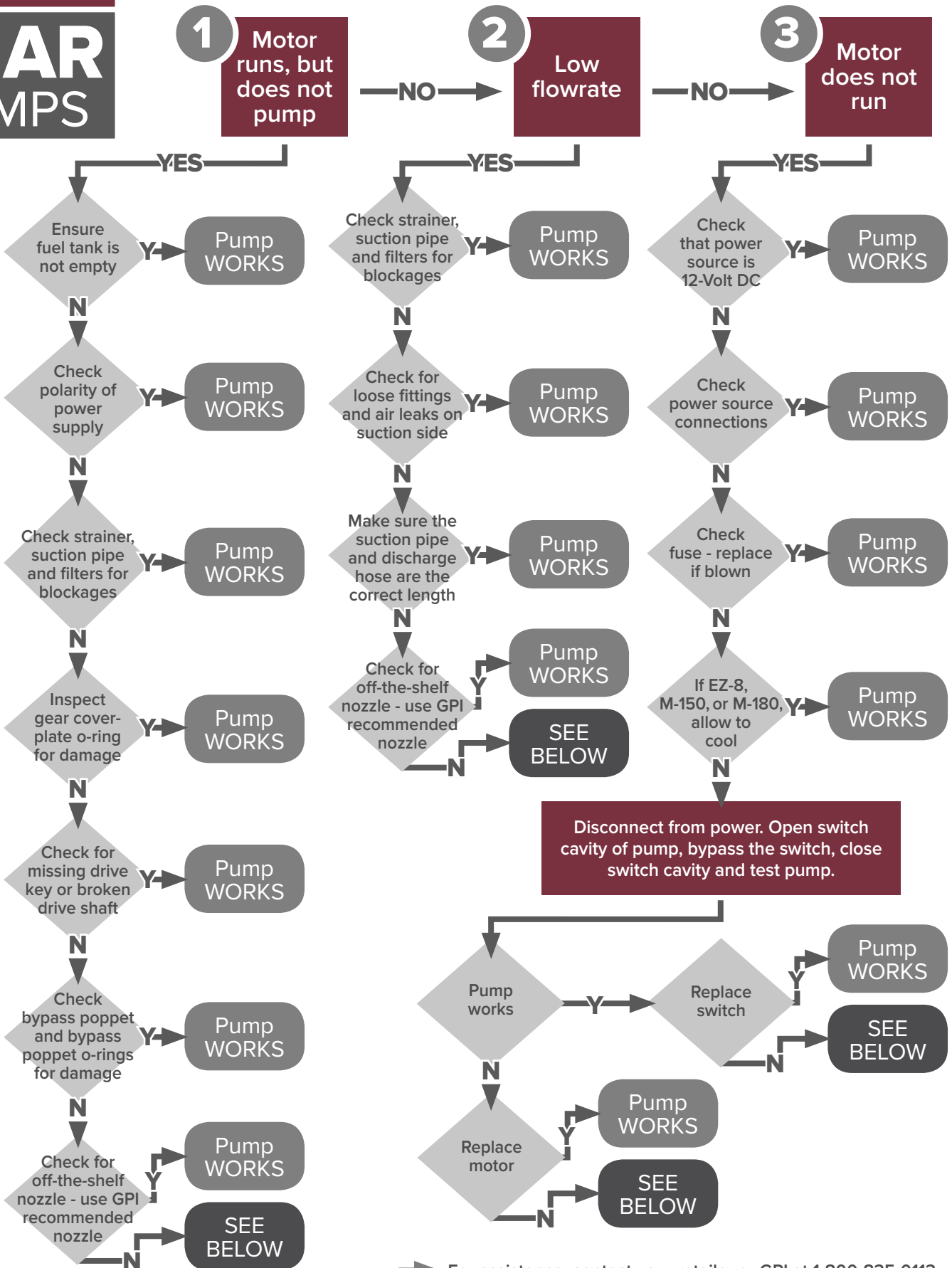
	Part No.	Description
A	133502-1	VANE KIT (includes 8 Vanes #13, O-Ring #3, & Key #4)
B	133503-1	SHAFT SEAL KIT (includes Shaft Seal #8, Retaining Ring #6 & Spacer Washer #7)
B	133503-05	SHAFT SEAL KIT, Extreme Temperature Series (includes Mating Ring Shaft Seal [906006-93], Primary Ring Shaft Seal [906006-92], Compression Spring [906003-45], Retaining Ring #6, Shaft Seal Washer [904001-39], O-Ring [901004-30], O-Ring [901003-63], Spacer Washer #7 & Slinger Washer)
C	133504-1	SEAL KIT (includes O-Rings: #3, #16, #17 & #20)
D	504500-04	Spares, Base Assembly, 2" Inlet
	504500-02	Kit, Switch, PRO35-115 / PRO95-230
	504500-03	Vacuum Breaker Kit
E	110540-03	KIT, Nozzle Hook, DIESEL

For more information refer to Owner's Manual 922108-01D

12 VOLT GEAR PUMPS

INCLUDES THESE MODELS: EZ-8, M-150, M-180, L5016, P-120, AND P-200
After each process ask yourself, "did that fix the problem?"

TROUBLESHOOTING GUIDE

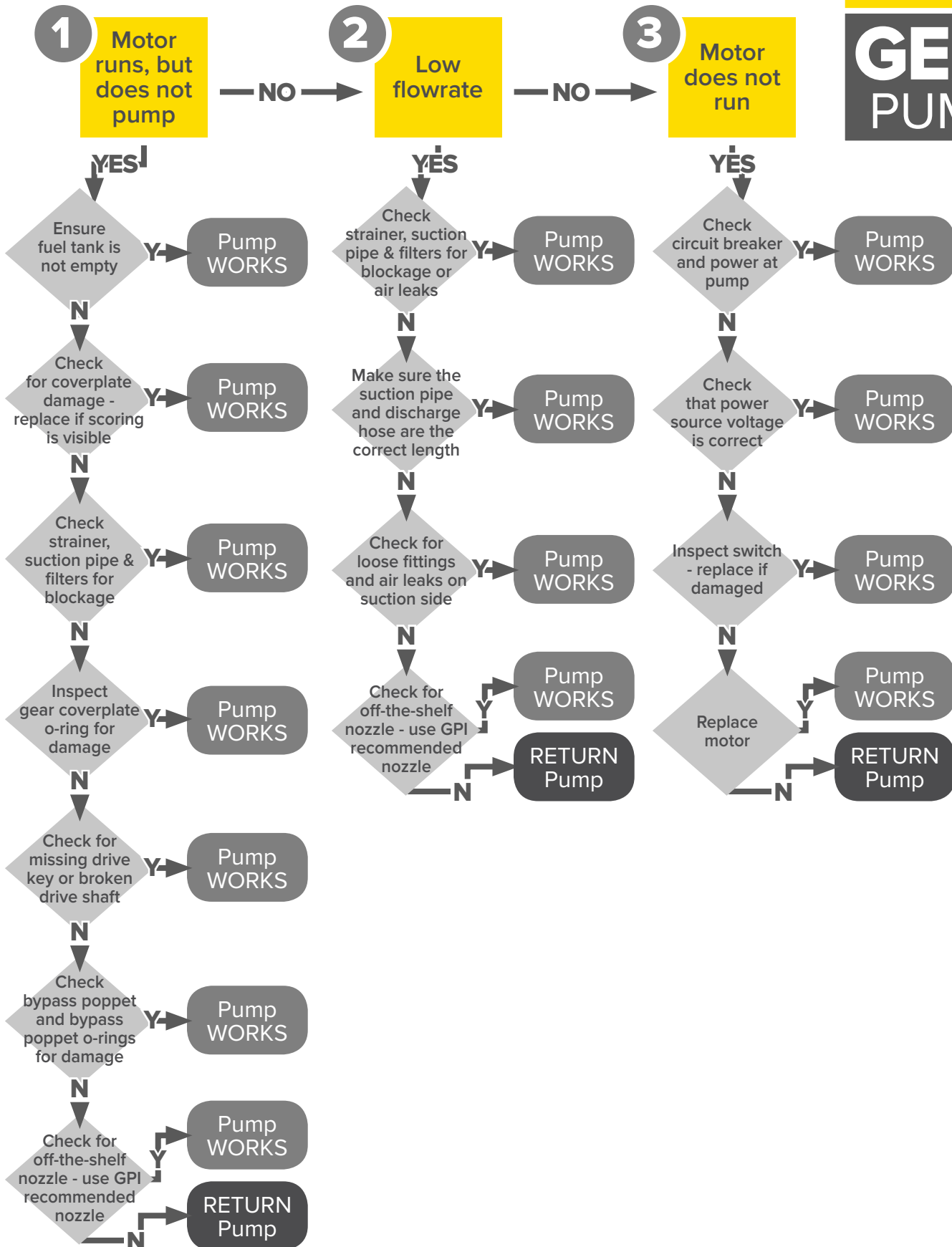


➔ For assistance, contact your retailer or GPI at 1-800-835-0113.

INCLUDES THESE MODELS: M-1115, L5116, L5132, PA-120, AND PA-200

After each process ask yourself, "did that fix the problem?"

115 VOLT GEAR PUMPS



➔ For assistance, contact your retailer or GPI at 1-800-835-0113.

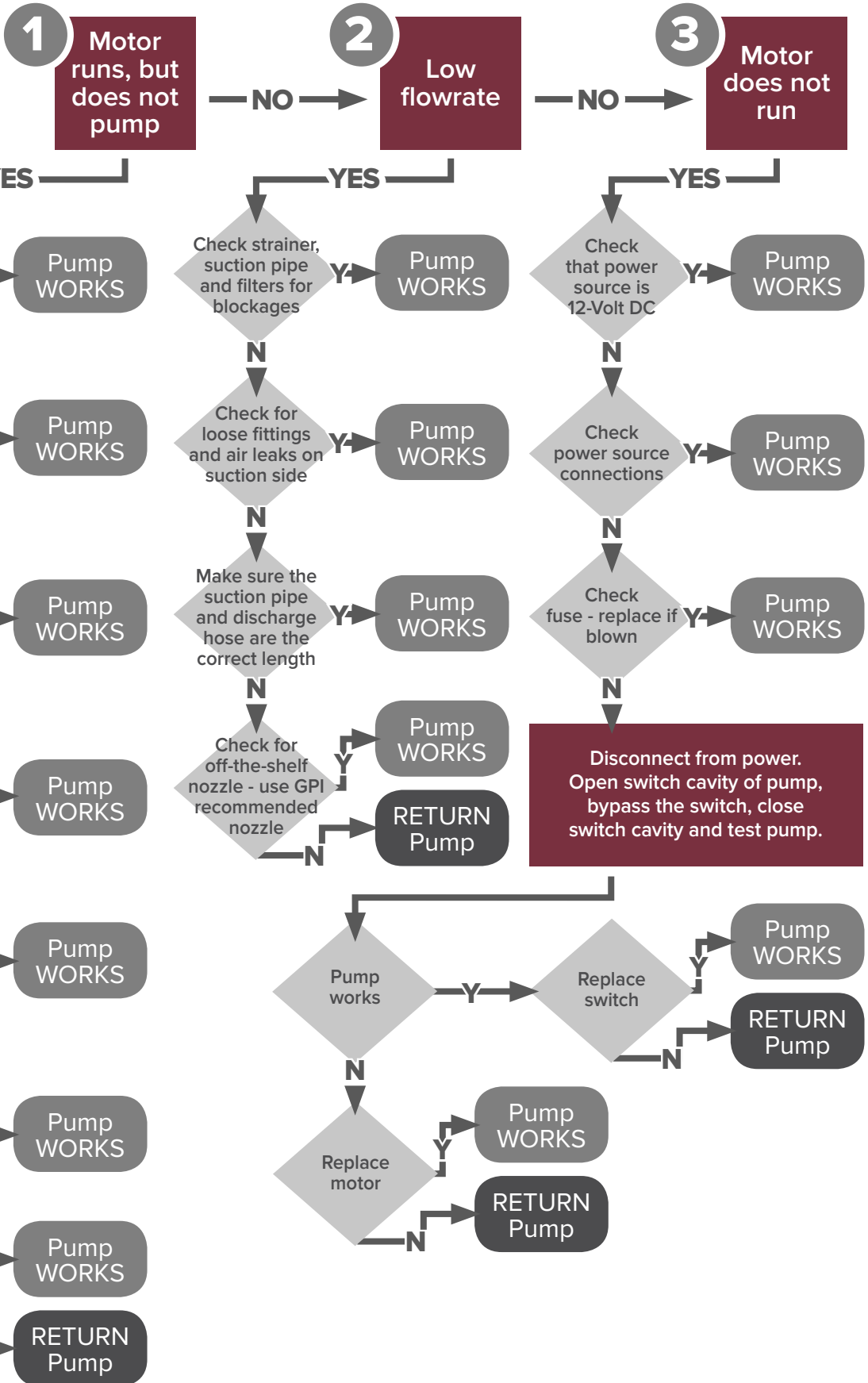
TROUBLESHOOTING GUIDE

12 VOLT

VANE PUMPS

INCLUDES THESE MODELS: M-3020, M-3025, PRO20-112, AND PRO25-112

After each process ask yourself, "did that fix the problem?"



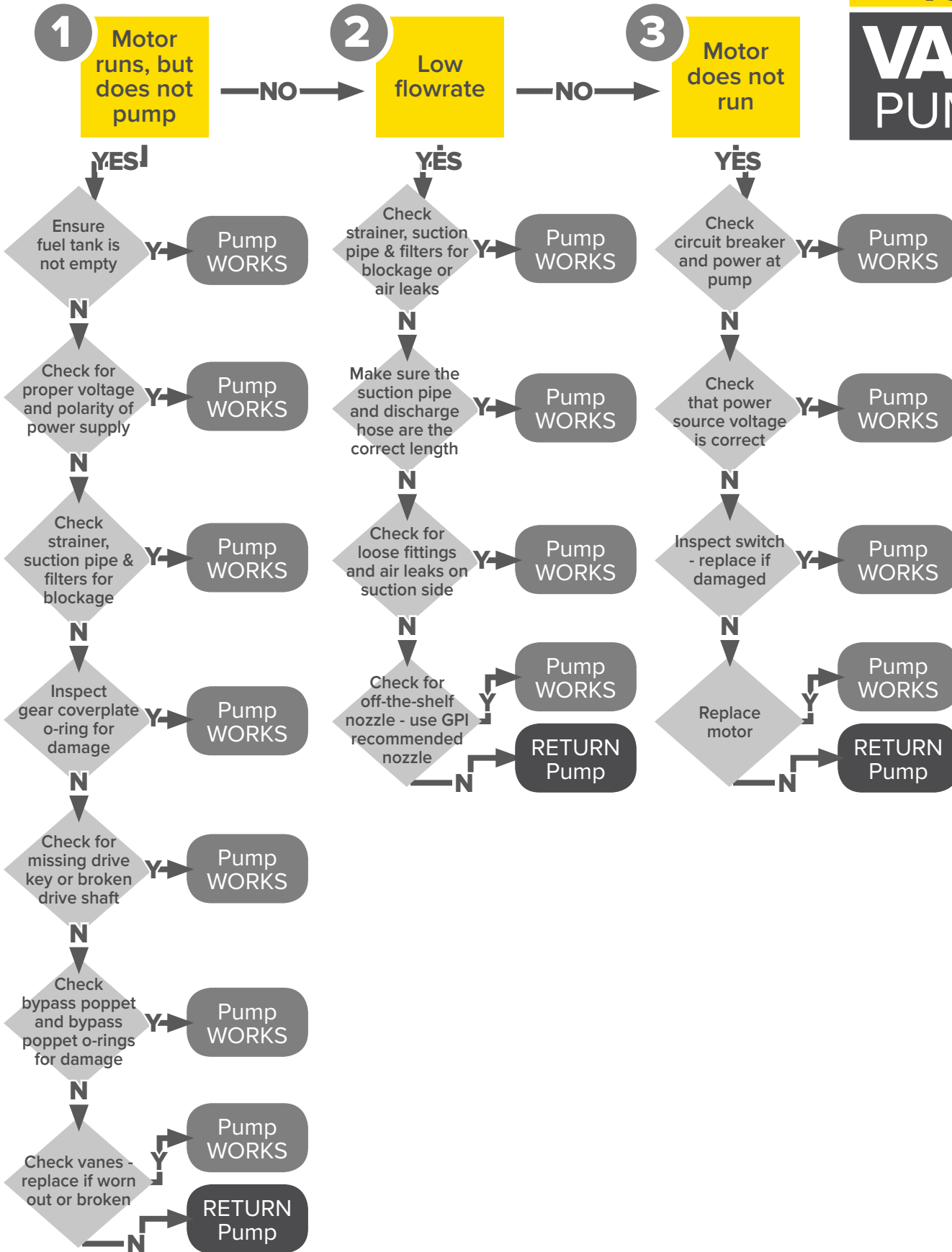
➔ For assistance, contact your retailer or GPI at 1-800-835-0113.

INCLUDES THESE MODELS: M-3120, M-3130, PRO20-115, AND PRO35-115

After each process ask yourself, "did that fix the problem?"

115/230
VOLT

VANE
PUMPS



➔ For assistance, contact your retailer or GPI at 1-800-835-0113.

TROUBLESHOOTING GUIDE

Repair Services

GPI offers complete repair services for most products. Contact the GPI Customer Service Department for repair pricing at 800-835-0113.

Procedure for Return for Repair Service:

1. Contact GPI at 800-835-0113 for an RGA Number prior to shipment . Returns without RGA numbers may be subject to refusal.
 - You will be asked type of repair requested.
 - How you wish to pay. Either credit card or prepaid, unless you have an existing open account.
 - Advise your GPI Customer Service Representative if expedited service is requested.
2. Remove all accessories including hoses, fittings, etc., from pump or meter. Product must be free of fuel or chemical prior to shipment.
3. Enclose product in plastic before boxing in case it contains residual liquid to meet your carriers' shipping guidelines.
4. Ship **prepaid** to:

Great Plains Industries, Inc.
Attn: Service Department
5252 E. 36th St. N.
Wichita, KS 67220
5. Include paperwork showing your company name, contact, phone, and RGA number. Please confirm service information requested from your call to the GPI Customer Service Department.
6. Please allow 1 to 2 weeks for repair from time of receipt at GPI. Repaired product will be shipped UPS ground prepaid and added to your invoice total. Herbicide products may take slightly longer during prime season.

Wichita / Sydney

GREAT PLAINS INDUSTRIES



Wichita - Headquarters

Great Plains Industries, Inc.
5252 E. 36th St. N.
Wichita, KS 67220-3205

316-686-7361

GPIpumps.com

Sydney - Manufacturing & Sales

Great Plains Industries Australia
12 / 7-11 Parraweena Rd,
Caringbah, NSW, 2229, Australia

+61 2 9540 4433

FLOMECmeters.com