



OPW Installation and Maintenance Instructions

53VM / 30MV AND 233 SERIES BALL FLOAT / EXTRACTOR ASSEMBLIES

IMPORTANT: Please read these warnings and use the assembly instructions completely and carefully before starting. Failure to do so may cause product failure, or result in environmental contamination due to liquid leakage into the soil, creating hazardous spill conditions.

IMPORTANT: Check to make sure the unit is intact and undamaged and all parts have been supplied. Never substitute parts for those supplied. Doing so may cause product failure and void warranty.

WARNING-DANGER: Using electrically operated equipment near gasoline or gasoline vapors may result in a fire or explosion, causing personal injury and property damage. Be sure that the working area is free from such hazards, and always use proper precautions.

NOTE: At all times when product is in the storage tank keep the riser pipe capped, so the vapors cannot escape into the environment.

Notice: OPW products must be used in compliance with applicable federal, state, and local laws and regulations. Product selection should be based on physical specifications and limitations and compatibility with the environment and material to be handled. All illustrations and specifications in this literature are based on the latest production information available at the time of publication. Prices, materials, and specification are subject to change at any time, and models may be discontinued at any time, in either case, without notice or obligation.

WARNING: OPW Overfill Warning Systems should only be used on submerged pumping systems, and not with suction pump systems. OPW Overfill Warning Systems should only be used on gravity drop systems. **DO NOT** use where Pump Off Unloading is used

IMPORTANT: Installing the incorrect length OPW 53V or 30MV Ball Float Vent Valve for your specific application may result in delivery flow restriction at tank levels exceeding requirements established by the U.S. EPA. Always consult the appropriate tank charts and determine the specifics of your tank installation to determine the appropriate length OPW 53V or 30MV to be installed. The illustration and instructions on the back of this sheet are intended to serve as a guide in this determination.

Field Installation Instructions

1. Apply a non-hardening, gasoline resistant pipe compound on the ball float nipple threads. Install the extractor cage-assembly onto the ball float nipple. Torques for, 3"NPT thread, 125 ft-lbs min. to 200 ft-lbs max, 2"NPT thread, 100 ft-lbs min. to 150 ft-lbs max. **DO NOT USE TEFLON TAPE**
2. Thread the 233 Series OPW Extractor Fitting into the tank bung fitting. Torque for, 4"NPT thread, 125" ft-lbs min. to 250 ft-lbs max. Thread the Ball Float and cage assembly into the 233 extractor fitting using the OPW 89 Extractor Wrench. Torque for, 3 3/4-8 thread, 75 ft-lbs min. to 150 ft-lbs max.
3. Make sure Ball Float moves freely, full stroke, without binding.
4. **Preventative Maintenance** - Every three years, remove and inspect the valve for damage, contamination, corrosion, freedom of movement of the ball float, and check the bleeder orifice for proper airflow. Replace if damaged or corroded.

Important: Leave these instructions with Station Operator.

Standard Product Warranty

OPW warrants that products sold by it are free from defects in materials and workmanship for a period of one year from the date of manufacture by OPW (ECO products two years from date of manufacture.) Proof of purchase may be required. As the exclusive remedy under this limited warranty, OPW, will at its sole discretion, repair, replace, or issue credit for future orders for any product that may prove defective within the one year date of manufacture period (repairs, replacements, or credits may be subject to prorated warranty for remainder of the original warranty period, complete proper warranty claim documentation required.) This warranty shall not apply to any product that has been altered in any way, which has been repaired by any party other than a service representative authorized by OPW, or when failure is due to misuse, or improper installation or maintenance. OPW shall have no liability whatsoever for special, incidental or consequential damages to any party, and shall have no liability for the cost of labor, freight, excavation, clean up, downtime, removal, reinstallation, loss of profit, or any other cost or charges.

For any product certified to California 2001 standards, OPW warrants that product sold by it are free from defects in material and workmanship for a period of one year from date of manufacture or one year from date of registration of installation not to exceed 15 months from date of manufacture by OPW.

THIS WARRANTY IS IN LIEU OF ALL OTHER WARRANTIES, EXPRESS OR IMPLIED, AND SPECIFICALLY THE WARRANTIES OF MERCHANTABILITY AND FITNESS FOR A PARTICULAR PURPOSE. THERE ARE NO WARRANTIES, WHICH EXTEND BEYOND THE DESCRIPTION ON THE FACE HEREOF.

OVER

Specifying OPW 53V AND 30MV Ball Float Vent Valves

IMPORTANT: Dimensions are for installations without Overfill Prevention Drop Tubes. See Drop Tube installation for reference on those installations.

Specifying the Proper Length 53V Series Ball Float

Step 1: Determine Dimension "X": Consult the tank chart (provided by the tank manufacturer) to determine the distance that corresponds to 10% of the total tank capacity

Step 2: Determine Dimension "Y": Measure the dimension from the inside top of the tank to the top of the 4" threaded tank "bung" fitting.

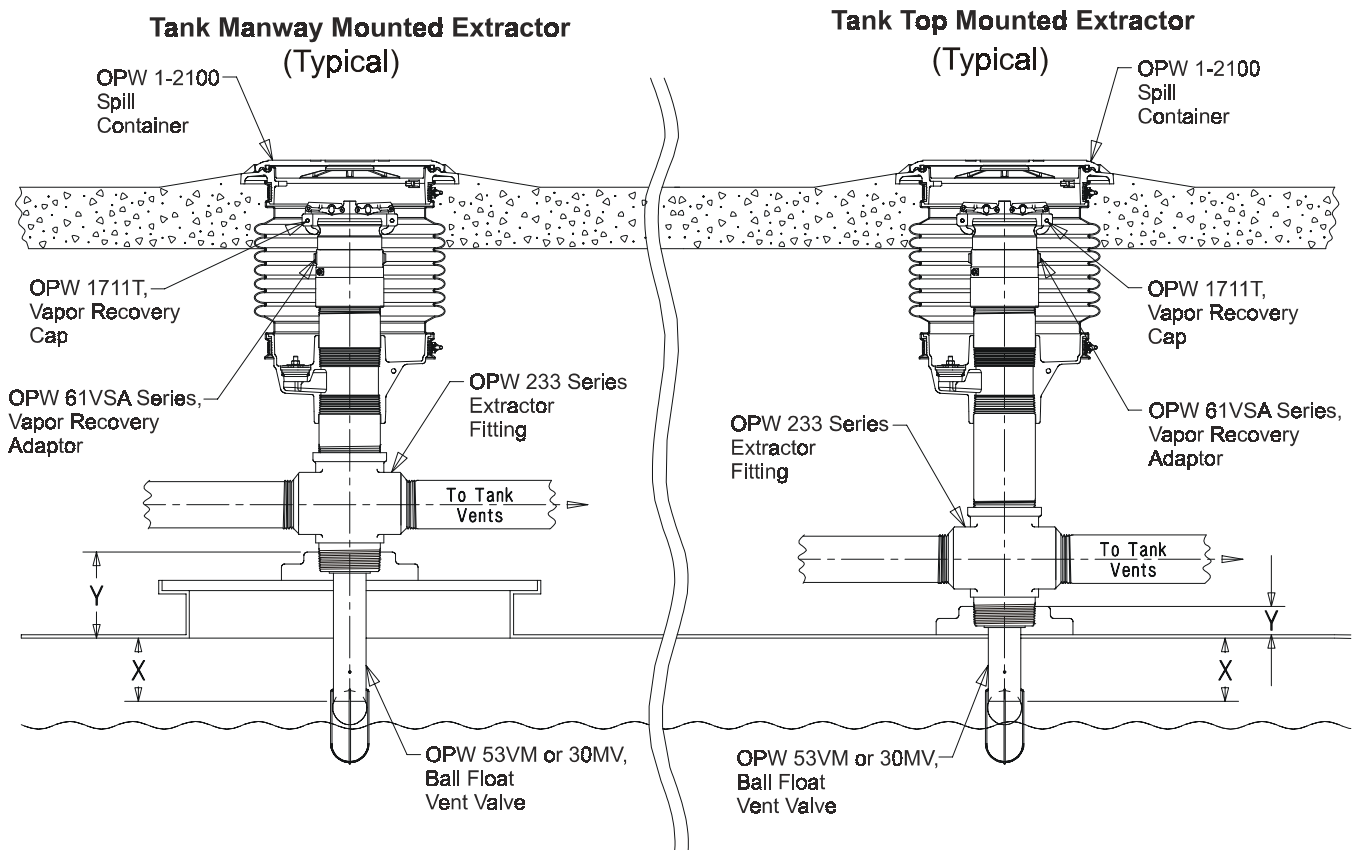
Step 3: Add measurements "X" and "Y". Then subtract 1/4" and round up to the nearest length ball float.

Specifying the Proper Length 30MV Series Ball Float

Step 1: Determine Dimension "X": Consult the tank chart (provided by the tank manufacturer) to determine the distance that corresponds to 308 gallons.

Step 2: Determine Dimension "Y": Measure the dimension from the inside top of the tank to the top of the 4" threaded tank "bung" fitting.

Step 3: Add measurements "X" and "Y". Then subtract 1/4 " and round up to the nearest length ball float.



P.O. Box 405003 * Cincinnati, Ohio 45240-5003
1-800-422-2525 Domestically
513-870-3315 Internationally
www.opw-fc.com

Copyright, 2002- OPW Fueling Components Inc., Cincinnati, OH
Printed in U.S.A. p/n H14111PA (7/02)